

Integrated Professional Cleaning



IPC Foma



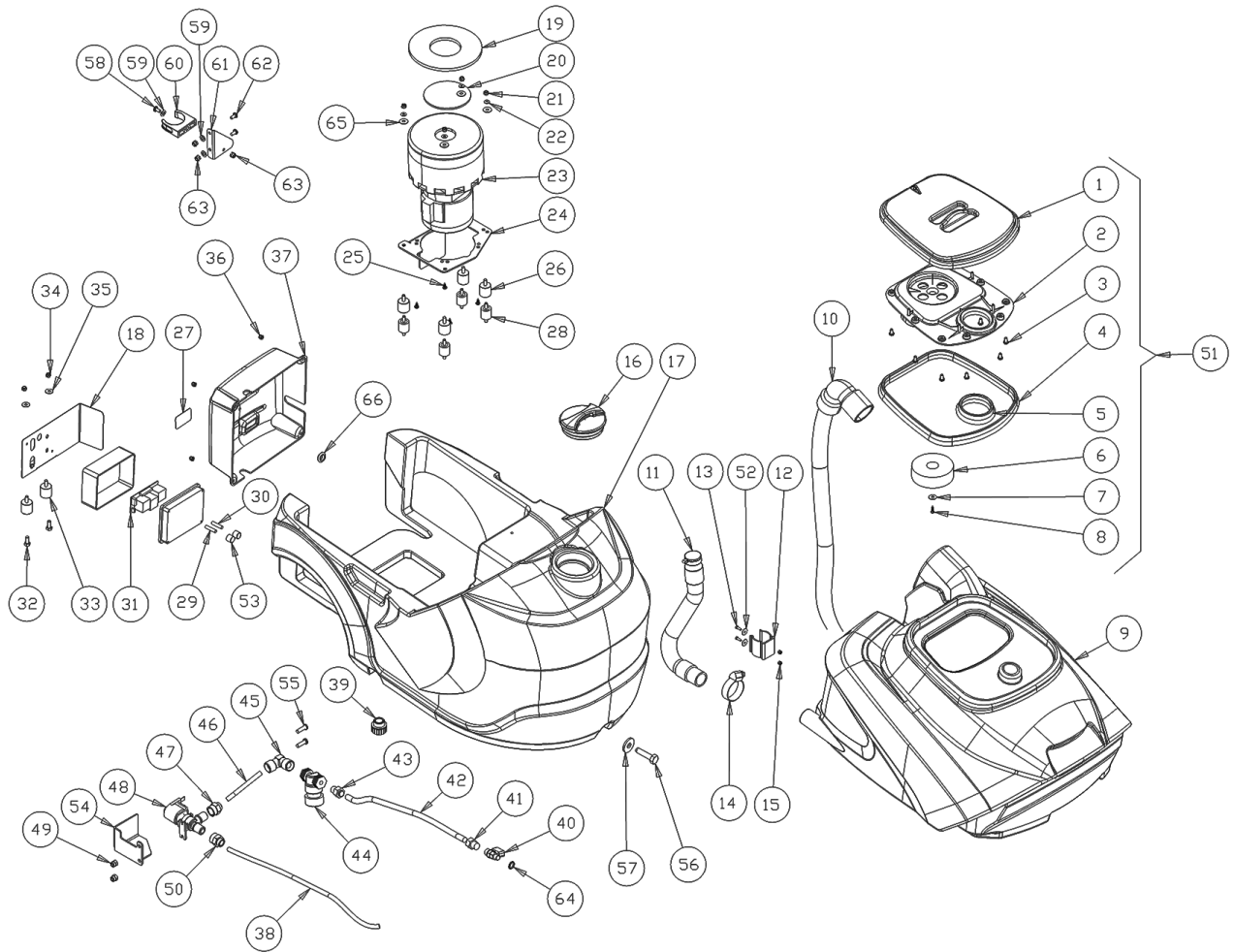
IPC Sverige

Spare Parts List

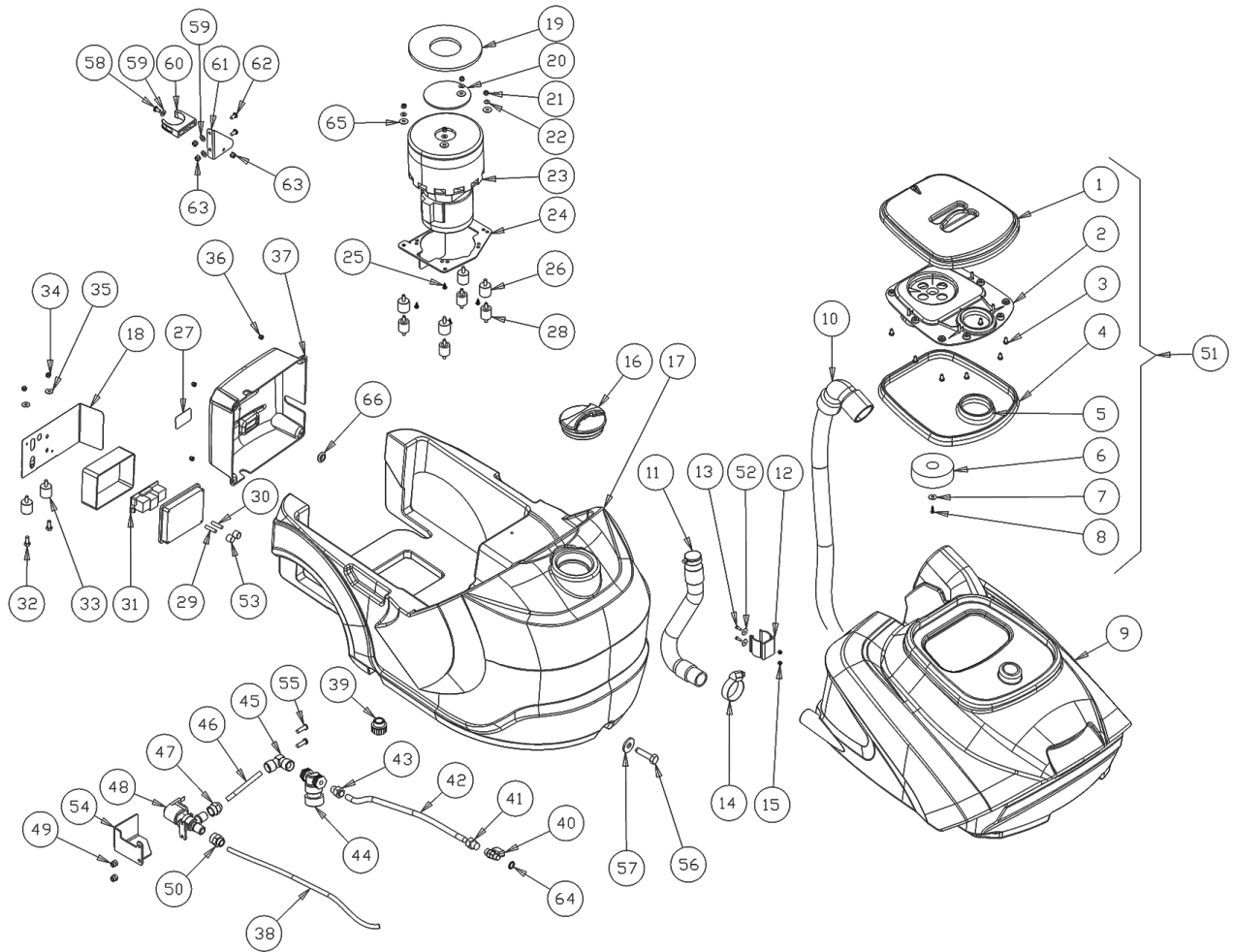
FOMA NORGE AS

Ref: LPTE00531

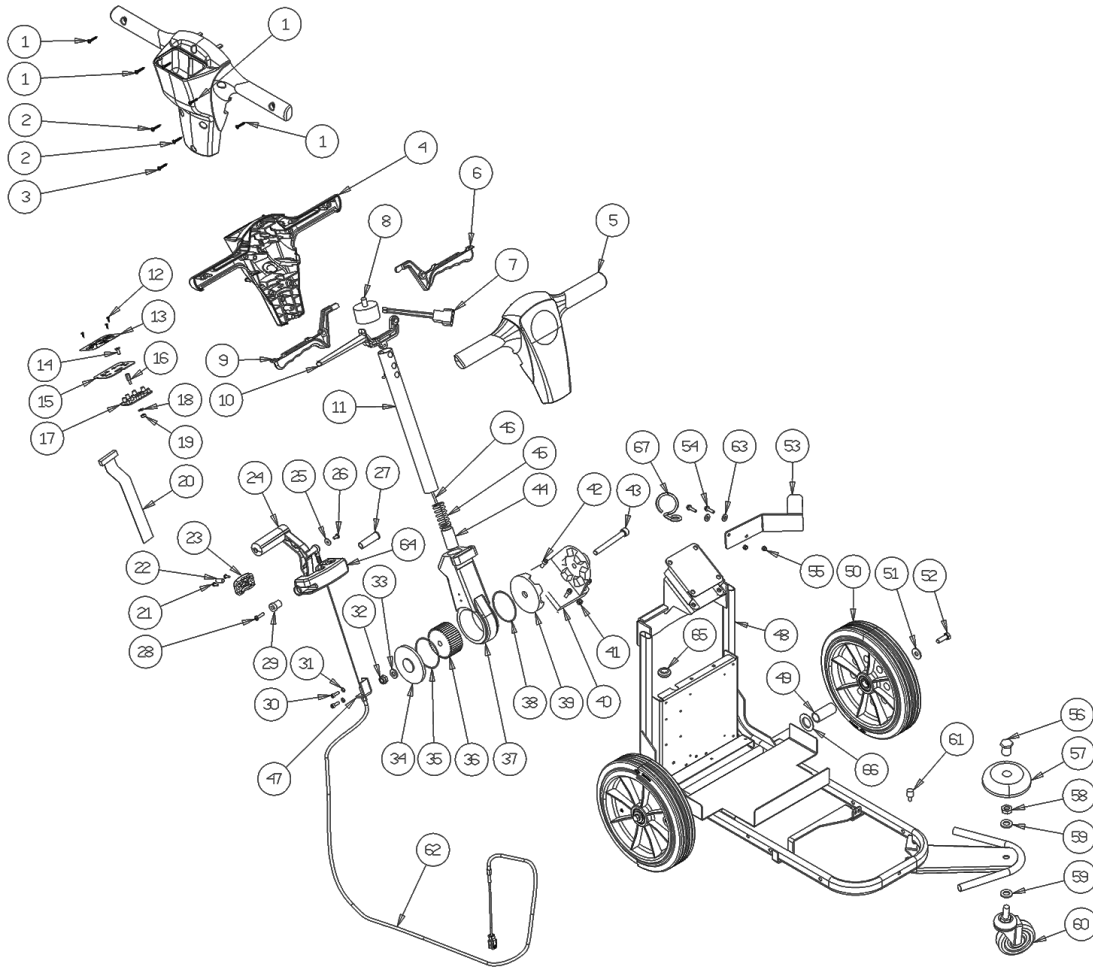
Model: CT30 C45 220V GR/VE



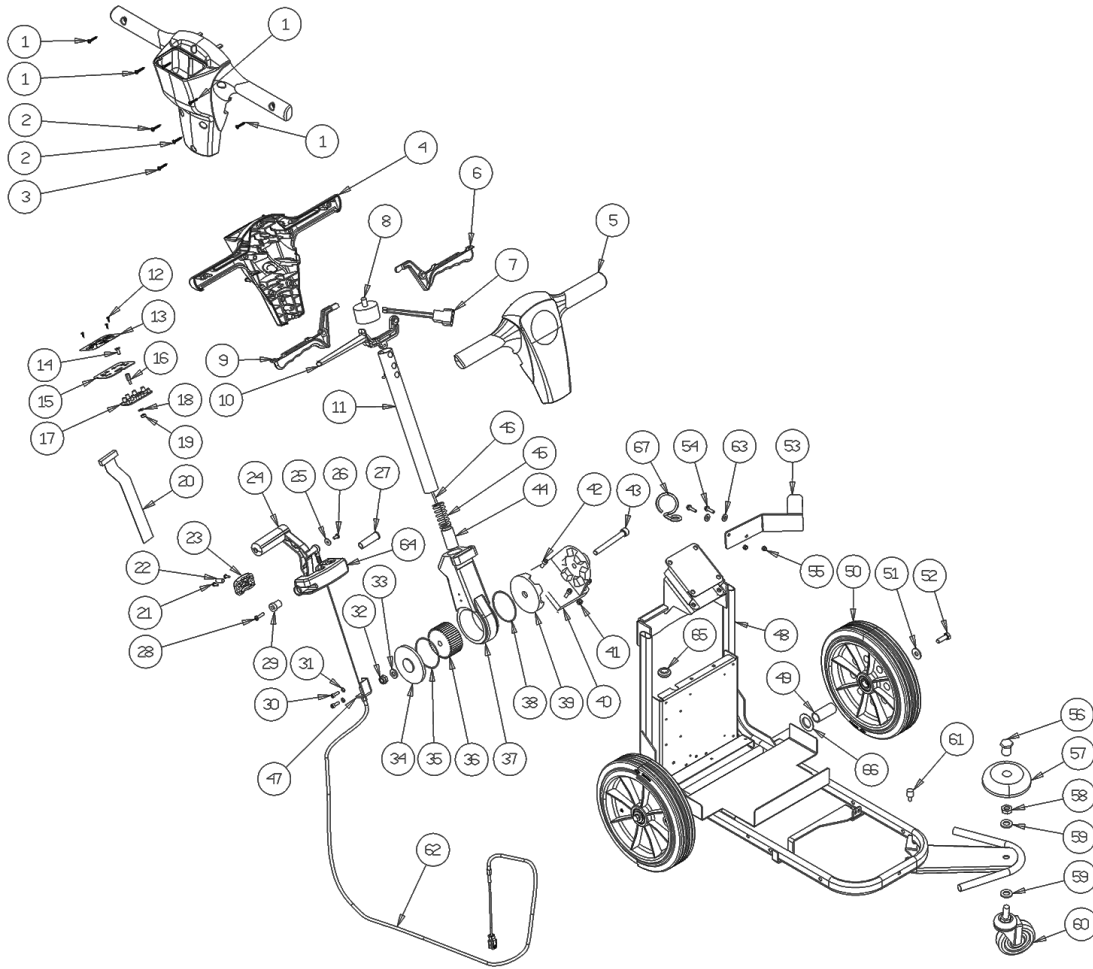
Ref.	K	Part N.	Customer Part N.	Description	Qty	Validity:		Price
						From	To	
0001		MPVR05825		COVER -	1,00			--
0002		MPVR05826		COVER -	1,00			--
0003		VTVT01694		SCREW TCB TC 5 X10 UNI 9707 TZ	8,00			--
0004		GUVR00306		GASKET -	1,00			--
0005		GUVR00307		GASKET -	1,00			--
0006		MPVR05836		FLOATER -	1,00			--
0007		VTRS00573		WASHER 30x6x3	1,00			--
0008		VTVT48694		SCREW TCB TC 5 X12 UNI 9707 TZ	1,00			--
0009		MPVR05912		TANK RECOVERY CT30 PANTONE 368	1,00			--
0010		KTRI04697		KIT REPLACEMENT TBFX00351	1,00			--
0011		TBFX00350		TUBE HOSE DRAIN CT30	1,00			--
0012		MPVR46988		CLIP LAV. SHK	1,00			--
0013		VTVT29884		SCREW TE M 4X 16 UNI 5739	2,00			--
0014		FSVR00002		CLAMP EKOFLEX 9 23-35	1,00		12/2014	--
0014		FSVR00095		CLAMP 30-45	1,00	12/2014		--
0015		VTDD04369		NUT M 4 TEF UNI 7473	2,00			--
0016		MPVR05188		CAP -	1,00			--
0017		MPVR05913		TANK SOLUTION CT30 RAL7024	1,00			--
0018		LAFN08980		PLATE -	1,00			--
0019		GUGO00444		GASKET -	1,00		09/2016	--
0019		GUGO00498		GASKET -	1,00	09/2016		--
0020		LAFN05830		NET FERMA FILTRO INOX	1,00			--
0021		VTDD07727		NUT M 5 INOX	4,00			--
0022		VTRS15908		WASHER D. 5 INX GRW UNI 1751	4,00			--
0023		MOMO00243		MOTOR ASPIRATORE	1,00			--
0024		LAFN08062		AXLE -	1,00	03/2013		--
0024		LAFN08894		PLATE -	1,00		03/2013	--
0025		VTVT48694		SCREW TCB TC 5 X12 UNI 9707 TZ	4,00			--
0026		LAFN08967		SPACER CT15-30	4,00			--
0027		ETET01692		LABEL -	2,00			--
0028		ABGO00052		VIBRATION DAMP.-	4,00			--
0029		MEVR02047		FUSE 8A 6,3X32 GLASS	1,00			--
0030		MEVR01747		FUSE 6X32 3A T	1,00		07/2012	--
0030		MEVR02092		FUSE 4A RITARDATO	1,00	02/2016		--
0030		MEVR04380		FUSE T3A	1,00	07/2012	02/2016	--
0031		MECE00536		BOARD RELAY CT15-30 230V	1,00			--
0032		VTVT01300		SCREW TE M5X12 INOX	2,00			--
0033		LAFN08967		SPACER CT15-30	2,00			--
0034		VTDD01693		NUT M 5 INX	2,00			--



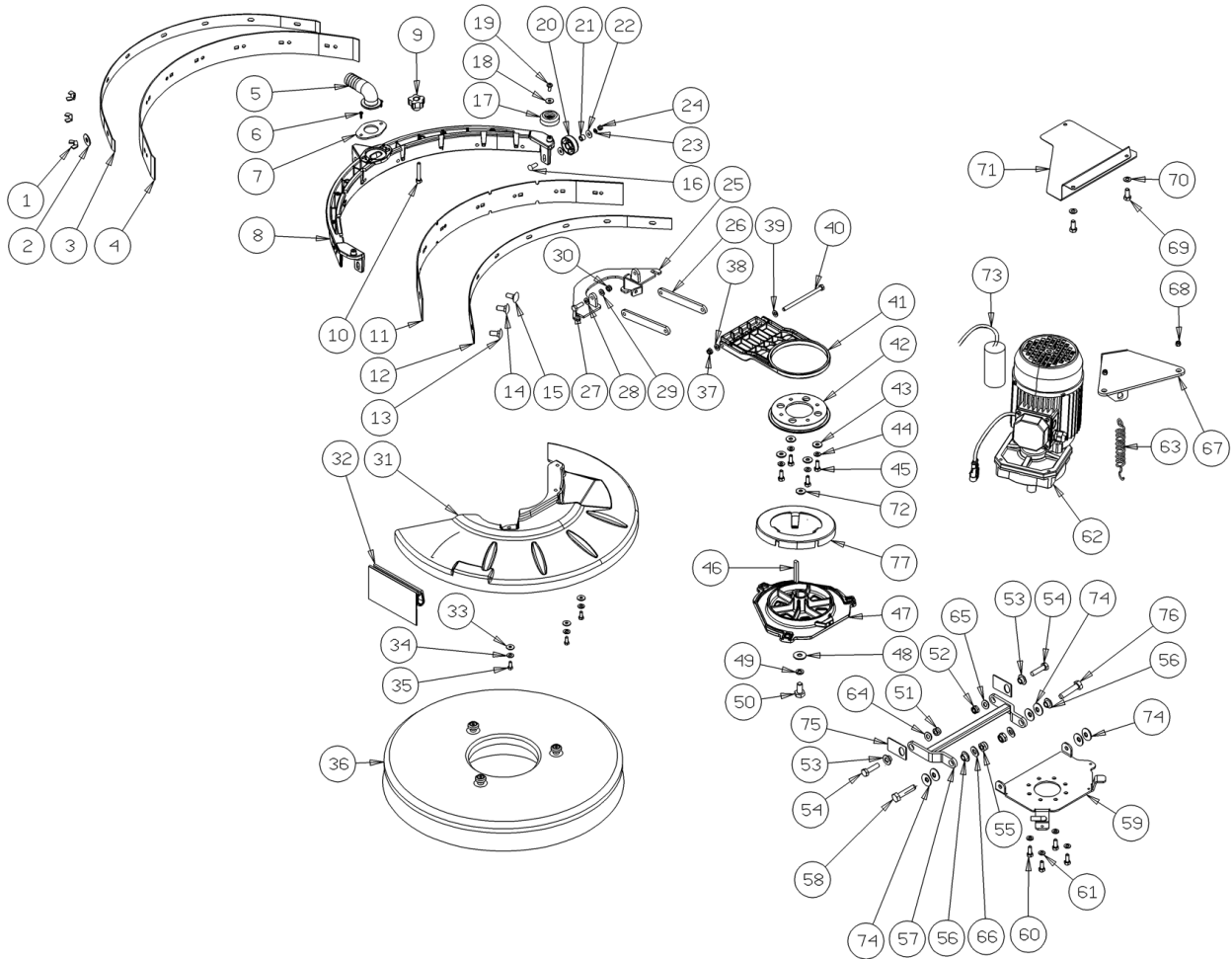
Ref.	K	Part N.	Customer Part N.	Description	Qty	Validity:		Price
						From	To	
0035		VTRS13750		WASHER D. 5X14 INX	2,00			--
0036		VTDD04368		NUT M 4 ZIN UNI 5588	4,00			--
0037		MPVR05915		COVERING -	1,00		07/2014	--
0037		MPVR06234		COVERING CT30	1,00	07/2014		--
0038		TBBP00481		TUBE -	0,48			--
0039		MPVR08003		CAP	1,00		11/2016	--
0039		MPVR10774		CAP 1/2"	1,00	11/2016		--
0040		RCGR00081		VALVE -	1,00			--
0041		RCVR00770		CONNECTOR 1/8	1,00			--
0042		TBBP00481		TUBE -	0,32			--
0043		RCVR00771		CONNECTOR 1/4	1,00		09/2013	--
0043		RCVR00789		CONNECTOR -	1,00	09/2013		--
0044		FTAC00042		FILTER -	1,00		02/2012	--
0044		FTAC00044		FILTER CT15-CT30	1,00	02/2012		--
0045		RCVR00773		CONNECTOR 1/4	1,00			--
0046		TBBP00481		TUBE -	0,20			--
0047		RCVR00772		CONNECTOR 1/4	1,00			--
0048		PMVR01989		SOLENOID VALVE CT30 230Vac	1,00			--
0049		VTDD00055		NUT M 4 ATB A2	2,00	05/2013		--
0049		VTVT48694		SCREW TCB TC 5 X12 UNI 9707 TZ	2,00		05/2013	--
0050		RCVR00772		CONNECTOR 1/4	1,00			--
0051		KTRI01989		KIT RECOVERY LID	1,00			--
0052		VTRS05904		WASHER D. 4 X16 2.083	2,00			--
0053		MEVR02091		FUSE-HOLDER -	2,00			--
0054		LAFN07948		PROTECTION ELETTROVALVOLA	1,00	05/2013		--
0055		VTVT15924		SCREW M 4X 16 TCB-TC UNI 7687	2,00	05/2013		--
0056		VTVT01376		SCREW TE M 5X 35 UNI 5739	1,00			--
0057		VTRS13750		WASHER D. 5X14 INX	1,00			--
0058		VTVT15924		SCREW M 4X 16 TCB-TC UNI 7687	1,00	09/2014		--
0059		VTRS00515		WASHER D. 4 INX	3,00	09/2014		--
0060		MPVR05841		CLIP -	1,00	09/2014		--
0061		LAFN09354		BRACKET -	1,00	09/2014		--
0062		VTVT15965		SCREW TCB-TC 4X12 UNI7687 INX	2,00	09/2014		--
0063		VTDD15925		NUT M 4 INX	3,00	09/2014		--
0064		GUGO03500		O-RING D. 6.75 X 1.78 NBR 70SH	1,00	04/2015		--
0065		VTRS13750		WASHER D. 5X14 INX	4,00	06/2015		--
0066		MEVR02113		FAIR-LEAD	1,00	02/2016		--



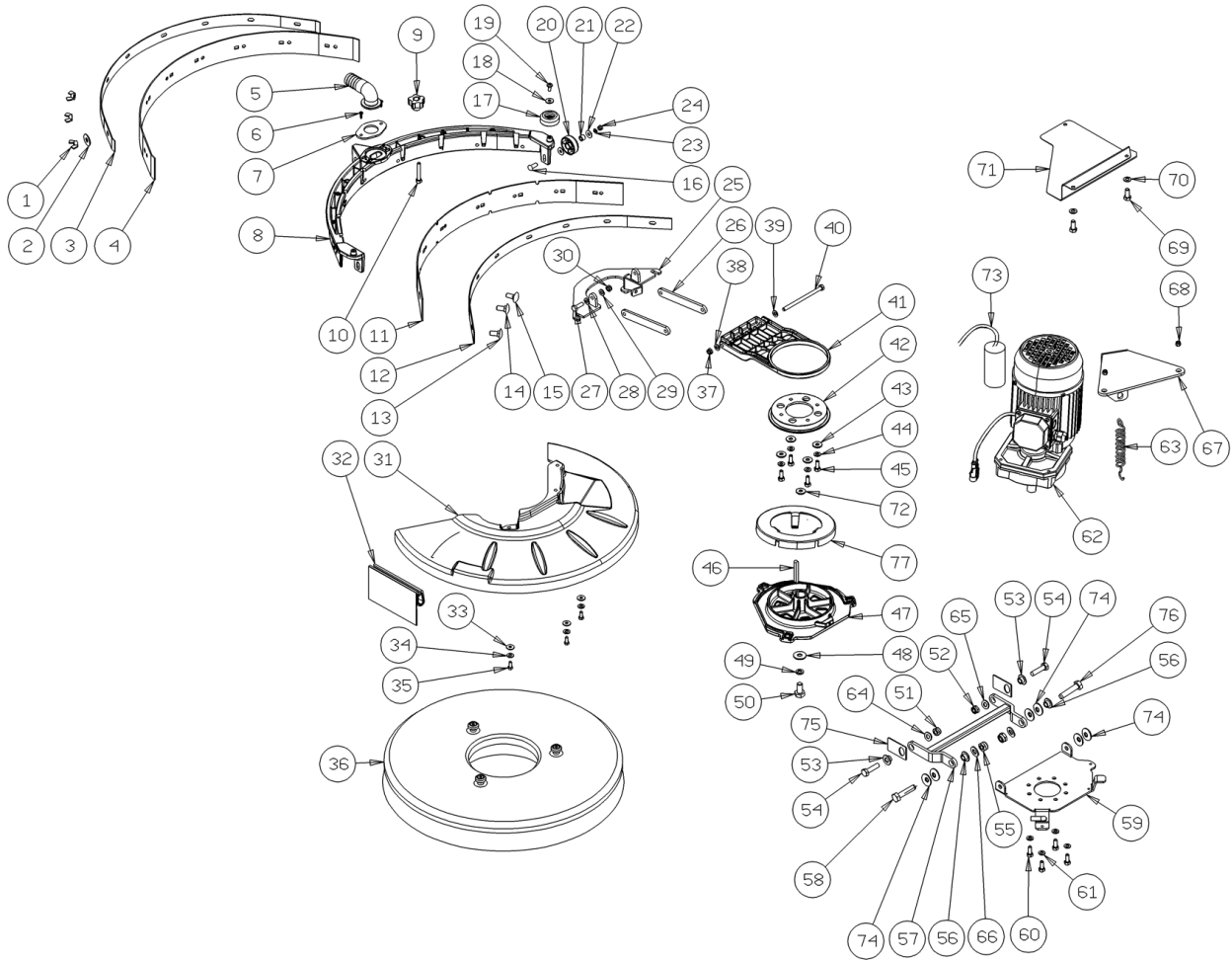
Ref. K	Part N.	Customer Part N.	Description	Qty	Validity:		Price
					From	To	
0001	VTVT01371		SCREW 4,8X19	4,00			--
0002	VTVT01372		SCREW 4,8X25	2,00			--
0003	VTVT01373		SCREW 4,8X38	1,00			--
0004	MPVR05837		HANDLE REAR CT15-CT30	1,00			--
0005	MPVR05486		CRANKCASE -	1,00			--
0006	MPVR05490		LEVER SWITCH ACTIVATION LEFT	1,00			--
0007	MECB01273		WIRING -	1,00			--
0008	MERL00013		SWITCH -	1,00			--
0009	MPVR05490		LEVER SWITCH ACTIVATION LEFT	1,00			--
0010	MPVR05488		LEVER HANDLE ADJUSTMENT	1,00			--
0011	LAFN09338		TUBE MANICO	1,00			--
0012	VTVT00800		SCREW TC 4X12 ZN	3,00			--
0013	ETET01699		LABEL DASHBOARD CT15-30 CABLE	1,00			--
0014	VTVT01377		SCREW TSP-TC M 3X5 UNI7688 INX	4,00			--
0015	LAFN08891		BRACKET -	1,00			--
0016	VTVR00481		INSERT FILETTATO M6	4,00			--
0017	MECE00537		BOARD LOGIC CT15-CT30 230V	1,00			--
0018	VTRS00268		WASHER D.3	4,00			--
0019	VTDD21115		NUT M 3 INOX	4,00			--
0020	MECB01257		CABLE RIBBON CT15	1,00			--
0021	VTVT01375		SCREW 5X22	2,00			--
0022	MPVR05925		HOSE COLLAR CT15	1,00			--
0023	MPVR05925		HOSE COLLAR CT15	1,00			--
0024	MPVR49942		LEVER SQUEEGEE LIFTING PP	1,00			--
0025	VTRS00251		WASHER 4-16 INOX A2	1,00			--
0026	VTVT00800		SCREW TC 4X12 ZN	1,00			--
0027	MPVR05927		PIN CT15	1,00			--
0028	VTVT01374		SCREW 5X40	1,00			--
0029	MPVR05928		BUSHING CT15	1,00			--
0030	VTVT17639		SCREW TCEI M 5X10 UNI 5931	2,00			--
0031	VTRS08013		WASHER D. 5 GRW	2,00			--
0032	VTDD00042		NUT AUT.M10 UNI7474	1,00			--
0033	VTRS00505		WASHER D.10 TE UNI 6592	1,00			--
0034	LAFN07476		COVER -	1,00			--
0035	GUGO00437		O-RING -	1,00			--
0036	MTIG00125		GEAR -	1,00			--
0037	LAFN07475		SUPPORT -	1,00			--
0038	GUGO00437		O-RING -	1,00			--
0039	LAFN07477		COVER -	1,00			--



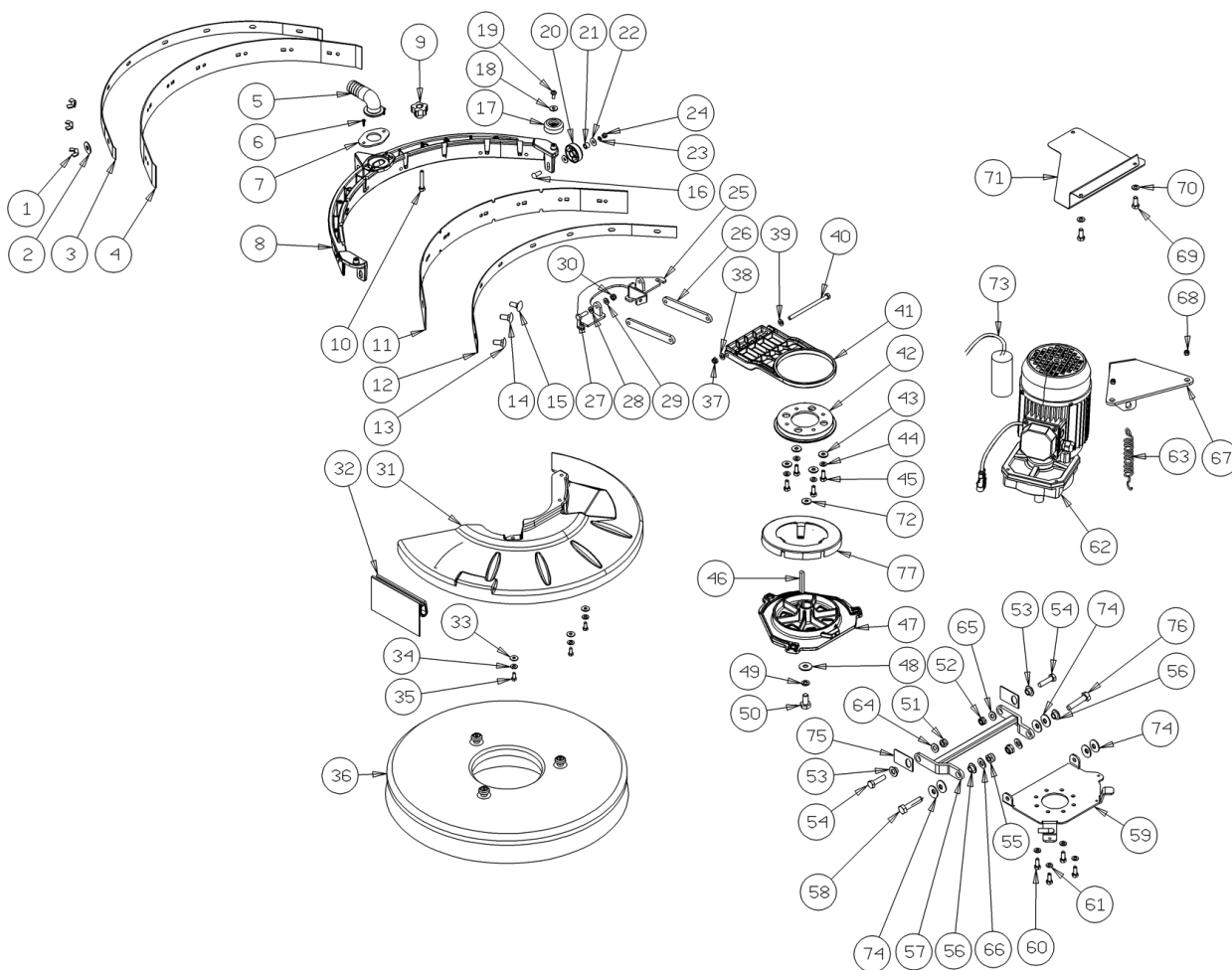
Ref. K	Part N.	Customer Part N.	Description	Qty	Validity:		Price
					From	To	
0040	LAFN07478		SUPPORT -	1,00			--
0041	VTDD00124		NUT M 8 BASSO	4,00			--
0042	VTVT29810		SCREW TCEI M 8X20 UNI 5931	4,00			--
0043	VTVT01205		SCREW -	1,00			--
0044	MTIG00126		GEAR	1,00			--
0045	MLML00319		SPRING -	1,00			--
0046	LAFN07917		SUPPORT -	1,00			--
0047	LAFN08898		BRACKET -	1,00			--
0048	LAFN07901		FRAME -	1,00			--
0049	LAFN09154		BUSHING CT30	2,00		06/2016	--
0049	LAFN11016		SPACER -	2,00	06/2016		--
0050	RTRT00537		WHEEL GRAY d.250 CT15-30-45	2,00			--
0051	VTRS00512		WASHER D. 8 X24 ZC.	2,00			--
0052	VTVT01110		SCREW TE 8X16 UNI5739	2,00			--
0053	LAFN09171		BRACKET -	1,00			--
0054	VTVT15143		SCREW TE 6X16 UNI5739	2,00			--
0055	VTDD01694		NUT M6 INOX	2,00			--
0056	LAFN09172		BUSHING -	1,00			--
0057	MPVR05965		WHEEL -	1,00			--
0058	VTDD00502		NUT M12	1,00			--
0059	VTRS09142		WASHER D.12 X 36	2,00	02/2015		--
0059	VTRS15978		WASHER D.12X24 UNI 6592 INX	2,00		02/2015	--
0060	RTRT00544		WHEEL D.80MXHC	1,00			--
0061	MPVR05967		CAP -	1,00			--
0062	CMCV00453		CABLE SQUEEGEE LIFT CT15	1,00			--
0063	VTRS00245		WASHER D.6 UNI 6592 INOX	2,00			--
0064	MPVR05926		SUPPORT CT15	1,00			--
0066	VTRS00364		THICKNESS 18X25X1	4,00	09/2015	06/2016	--
0067	LAFN11049		HOOK -	1,00	06/2016		--



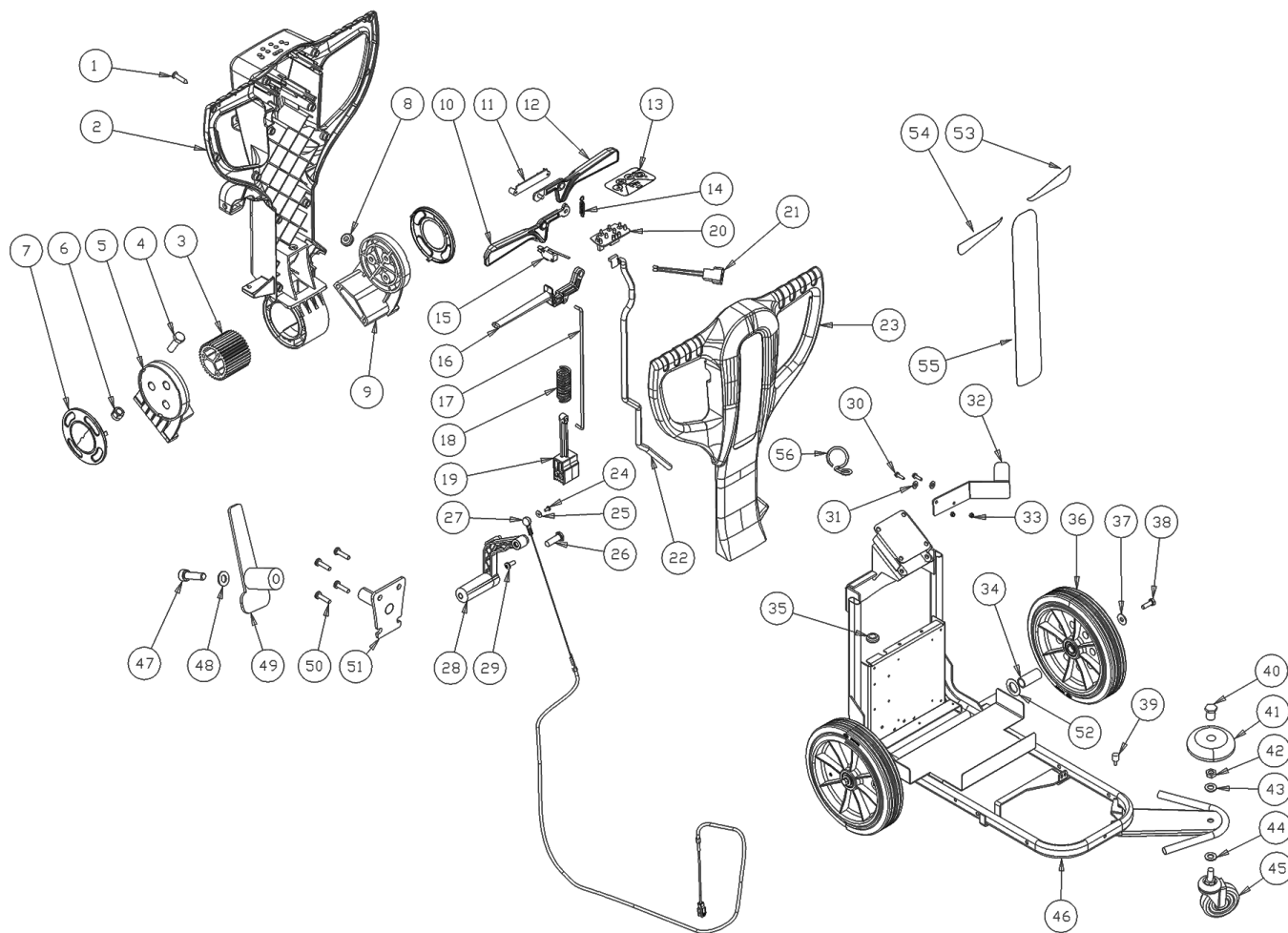
Ref.	K	Part N.	Customer Part N.	Description	Qty	Validity:		Price
						From	To	
0001		VTDD00522		NUT M5	6,00			--
0002		VTRS13750		WASHER D. 5X14 INX	6,00			--
0003		LAFN07908		BRACKET -	1,00			--
0004		MPVR05954		FLAP SQUEEGEE REAR CT30	1,00			--
0005		MPVR05831		CONNECTOR ELBOW FITTING CT15-CT30	1,00			--
0006		VTVT48694		SCREW TCB TC 5 X12 UNI 9707 TZ	2,00			--
0007		LAFN08890		FLANGE -	1,00			--
0008		MPVR05914		FLOOR WIPER YELLOW RAL1021	1,00			--
0009		MPVR05842		SMALL KNOB -	2,00			--
0010		VTVT15515		SCREW TE M 6X 50 INOX A2	2,00			--
0011		MPVR05953		FLAP SQUEEGEE FRONT CT30	1,00			--
0012		LAFN07907		BRACKET -	1,00			--
0013		VTVT01690		SCREW M5x25	2,00			--
0014		VTVT01691		SCREW M5x35	2,00			--
0015		VTVT01691		SCREW M5x35	2,00			--
0016		VTVT01693		SCREW M5x20	3,00			--
0017		MPVR05832		WHEEL -	2,00			--
0018		VTRS13750		WASHER D. 5X14 INX	2,00			--
0019		VTVT48694		SCREW TCB TC 5 X12 UNI 9707 TZ	2,00			--
0020		MPVR05832		WHEEL -	3,00			--
0021		LAFN08913		BUSHING -	3,00			--
0022		VTRS13750		WASHER D. 5X14 INX	6,00			--
0023		VTRS15908		WASHER D. 5 INX GRW UNI 1751	3,00			--
0024		VTDD01693		NUT M 5 INX	3,00			--
0025		LAFN07903		SUPPORT -	1,00			--
0026		LAFN07902		ARM -	2,00			--
0027		VTVT13939		SCREW TE 6X20 UNI5739 INX	2,00			--
0028		VTRS00245		WASHER D.6 UNI 6592 INOX	2,00			--
0029		VTRS00245		WASHER D.6 UNI 6592 INOX	2,00			--
0030		VTDD01694		NUT M6 INOX	2,00			--
0031		MPVR05916		COVERING BRUSH HEAD CT30	1,00			--
0032		MPVR05966		FLAP BRUSH SKIRT CT30	1,00			--
0033		VTRS13750		WASHER D. 5X14 INX	3,00			--
0034		VTRS15908		WASHER D. 5 INX GRW UNI 1751	3,00			--
0035		VTVT01300		SCREW TE M5X12 INOX	3,00			--
0036		SPPV01313		BRUSH D.450 NYLON 0,8	1,00		04/2013	--
0036		SPPV01188		BRUSH CT30 NEW	1,00	04/2013		--
0037		VTDD01694		NUT M6 INOX	1,00			--
0038		VTRS00245		WASHER D.6 UNI 6592 INOX	1,00			--



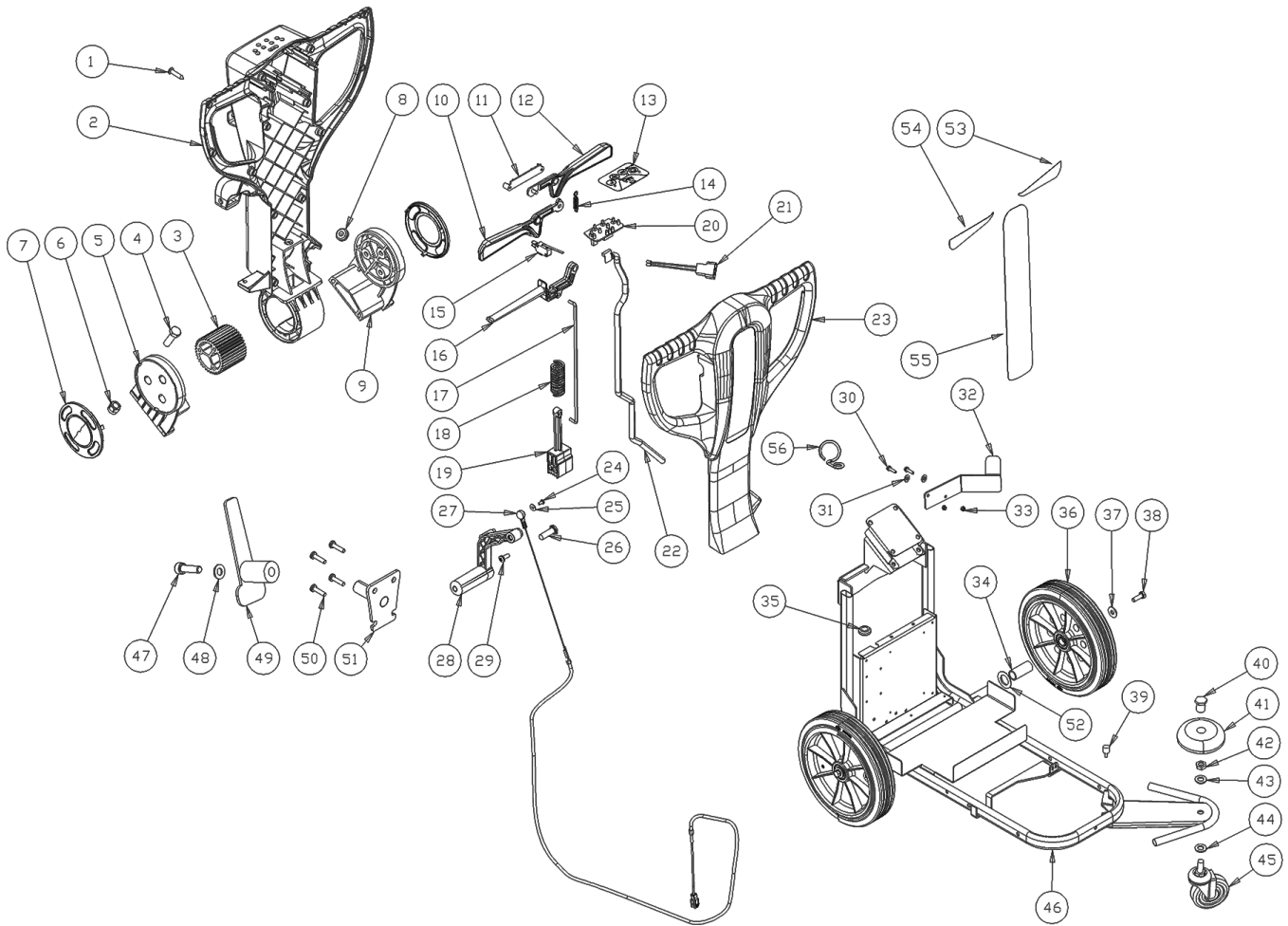
Ref.	K	Part N.	Customer Part N.	Description	Qty	Validity:		Price
						From	To	
0039		VTRS00245		WASHER D.6 UNI 6592 INOX	1,00			--
0040		VTVT01692		SCREW M6X125	1,00			--
0041		MPVR05829		SUPPORT -	1,00			--
0042		MPVR05830		BRACKET -	1,00			--
0043		VTRS13945		WASHER D. 6X18 INX UNI 6593	4,00			--
0044		VTRS15144		WASHER D. 6 INX GRW UNI 1751	4,00			--
0045		VTVT13939		SCREW TE 6X20 UNI5739 INX	4,00			--
0046		VTVR16617		KEY 6X 6X30 UNI 6604	1,00			--
0047		MFVR00212		DRIVE DISK	1,00			--
0048		VTRS13946		WASHER D. 8 X24 INX UNI 6593	1,00			--
0049		VTRS15146		WASHER D. 8 INX GRW UNI 1751	1,00			--
0050		VTVT13938		SCREW TE 8X20 UNI5739 INX	1,00			--
0051		VTDD01695		NUT M 8 INX	1,00			--
0052		VTDD01695		NUT M 8 INX	1,00			--
0053		LAFN06391		BUSHING PARALLELOGRAMMA	2,00			--
0054		VTVT00410		SCREW TE M8x35 UNI5739 INOX	2,00		04/2014	--
0054		VTVT01378		SCREW TBEI M8X35	2,00	04/2014		--
0055		VTDD01695		NUT M 8 INX	2,00			--
0056		LAFN51068		BUSHING LEVA POSTER.	2,00			--
0057		LAFN07910		BRACKET -	1,00			--
0058		VTVT01195		SCREW TBEI M 8X 25 ISO 7380 IX	2,00	04/2014		--
0058		VTVT15907		SCREW TE 8X25 UNI5739 INX	2,00		04/2014	--
0059		LAFN07905		SUPPORT -	1,00			--
0060		VTVT15906		SCREW TE 6X 12 A2 UNI 5739	4,00			--
0061		VTRS15144		WASHER D. 6 INX GRW UNI 1751	4,00			--
0062		MOMO00248		MOTOR CT30 230V	1,00		09/2013	--
0062		MOMO00259		MOTOR CT30-CT45 230VAC 50-60HZ	1,00	09/2013		--
0063		MLML00065		SPRING L0=80 De=12 Df=1.7	1,00			--
0064		VTRS13947		WASHER D. 8 INX UNI 6592	1,00			--
0065		VTRS13947		WASHER D. 8 INX UNI 6592	1,00			--
0066		VTRS13947		WASHER D. 8 INX UNI 6592	2,00			--
0067		LAFN07918		BRACKET -	1,00		09/2013	--
0068		VTDD00128		SELF-LOCJ.NUT M5	2,00			--
0069		VTVT34115		SCREW TE M 5X 10 UNI 5739	2,00			--
0070		VTRS13750		WASHER D. 5X14 INX	2,00			--
0071		MPVR05957		PROTECTION -	1,00			--
0072		VTRS13947		WASHER D. 8 INX UNI 6592	1,00	09/2013		--
0073		METT00090		GROUND PROTECT.60uF 300V	1,00	09/2013	10/2013	--
0073		METT00092		GROUND PROTECT.CT30-CT45C	1,00	10/2013		--



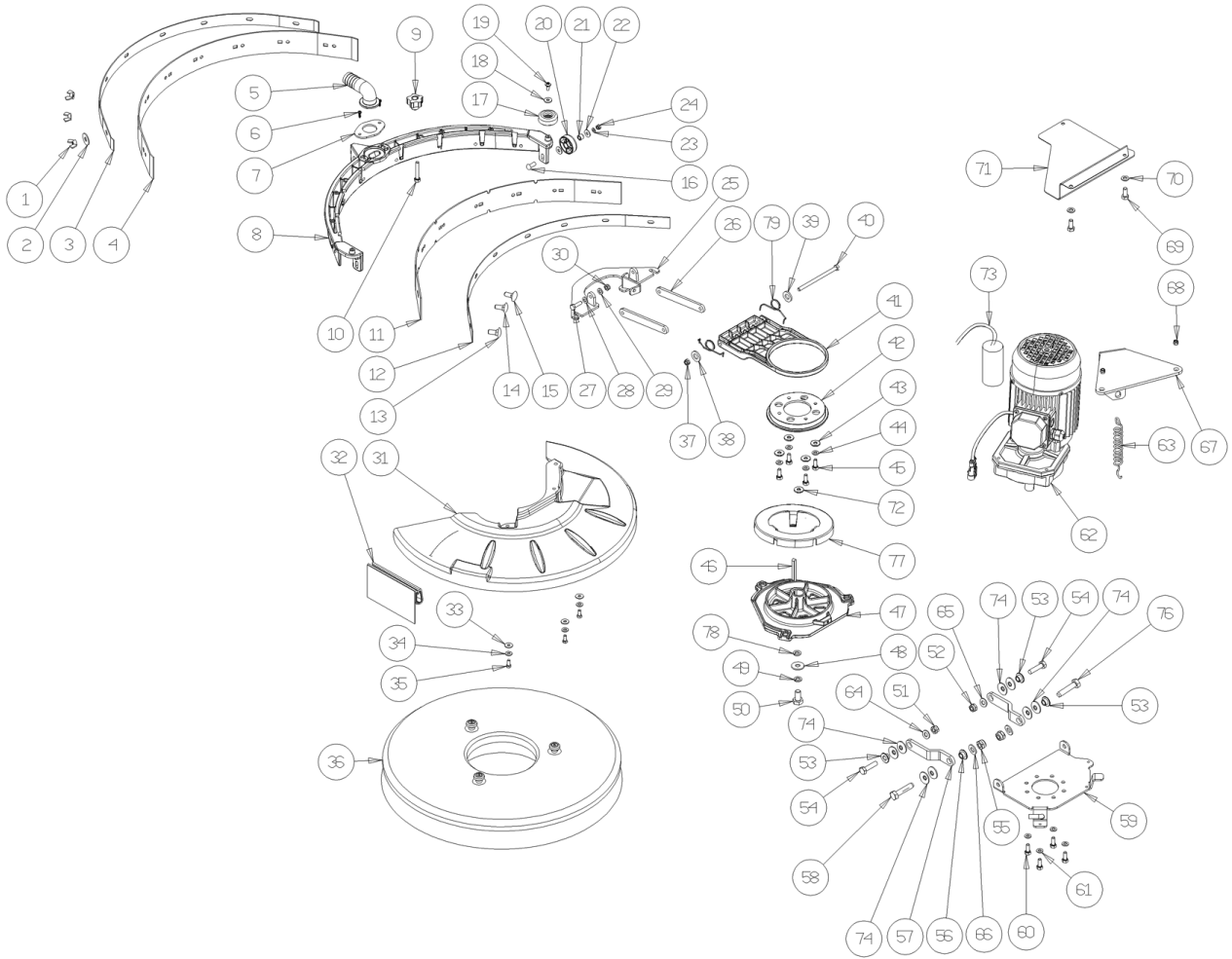
Ref.	K	Part N.	Customer Part N.	Description	Qty	Validity:		Price
						From	To	
0074		MLML00095		DISC SPRINGS 12,2x25x0,9 DIN 2093	6,00			--
0075		MPVR06963		THICKNESS -	2,00	09/2013		--
0076		VTVT13937		SCREW TE M 8X 30 INX UNI 5739	1,00	09/2013		--
0077		MPVR06045		CONVEYOR -	1,00	10/2013		--



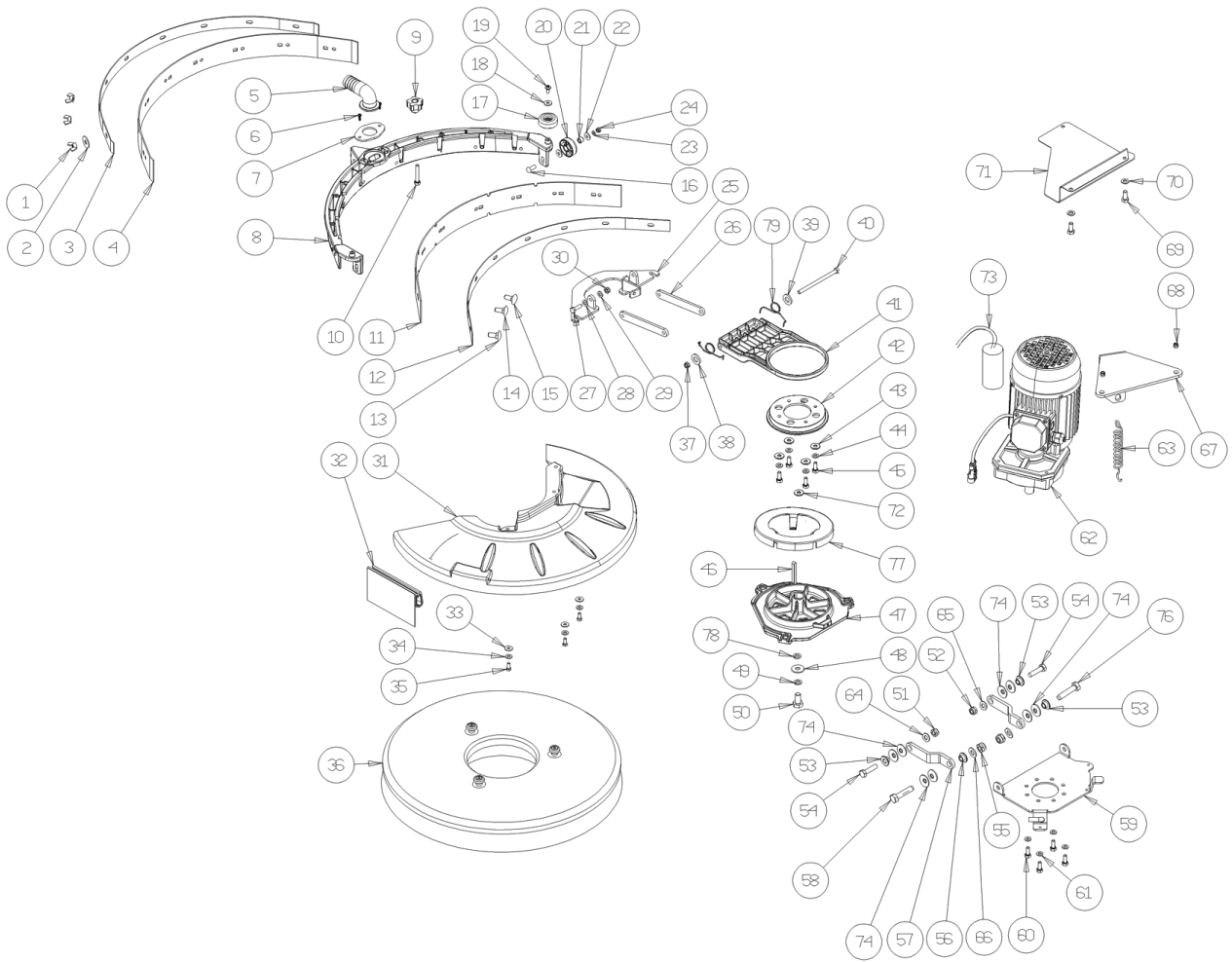
Ref.	K	Part N.	Customer Part N.	Description	Qty	Validity:		Price
						From	To	
0001		VTVT01371		SCREW 4,8X19	14,00			--
0002		MPVR06047		CRANKCASE -	1,00			--
0003		MPVR06056		GEAR -	1,00			--
0004		VTVT75724		SCREW TBEI M 8X 22 ISO 7380 ZB	4,00			--
0005		MPVR06053		SHELL DX	1,00			--
0006		VTDD00124		NUT M 8 BASSO	4,00			--
0007		MPVR06055		COVER -	2,00			--
0008		MPVR06057		FAIR-LEAD -	1,00			--
0009		MPVR06054		SHELL SX	1,00			--
0010		MPVR06049		LEVER DX	1,00			--
0011		MPVR06298		COVERING CT55	1,00			--
0012		MPVR06048		LEVER SX	1,00			--
0013		ETET01781		LABEL -	1,00			--
0014		MLML00336		SPRING -	1,00			--
0015		MECI36393		MICROSWITCH TRZ. DRW	1,00			--
0016		MPVR06050		LEVER ADJUSTMENT	1,00			--
0017		LAFN09221		LEVER RINVIO	1,00			--
0018		MLML00337		SPRING -	1,00			--
0019		MPVR06052		HANDLE SUPPORT	1,00			--
0020		MECE00537		BOARD LOGIC CT15-CT30 230V	1,00			--
0021		MECB01324		WIRING PUSH BOTTON CT45 C	1,00			--
0022		MECB01257		CABLE RIBBON CT15	1,00		11/2015	--
0022		MECB01396		WIRING	1,00	11/2015		--
0023		MPVR06046		CRANKCASE -	1,00			--
0024		VTVT00800		SCREW TC 4X12 ZN	1,00			--
0025		VTRS00251		WASHER 4-16 INOX A2	1,00			--
0026		LAFN09248		PIN -	1,00			--
0027		CMCV00463		CABLE LIFTING SQUEEGEE CT15-30	1,00			--
0028		MPVR49942		LEVER SQUEEGEE LIFTING PP	1,00			--
0029		VTVT00796		SCREW TC 6X12	1,00			--
0030		VTVT15143		SCREW TE 6X16 UNI5739	2,00			--
0031		VTRS00245		WASHER D.6 UNI 6592 INOX	2,00			--
0032		LAFN09171		BRACKET -	1,00			--
0033		VTDD01694		NUT M6 INOX	2,00			--
0034		LAFN09154		BUSHING CT30	2,00		06/2016	--
0034		LAFN11016		SPACER -	2,00	06/2016		--
0035		MEVR00686		FAIR-LEAD DIAMETER 15.5	1,00			--
0036		RTRT00537		WHEEL GRAY d.250 CT15-30-45	2,00			--
0037		VTRS00512		WASHER D. 8 X24 ZC.	2,00			--



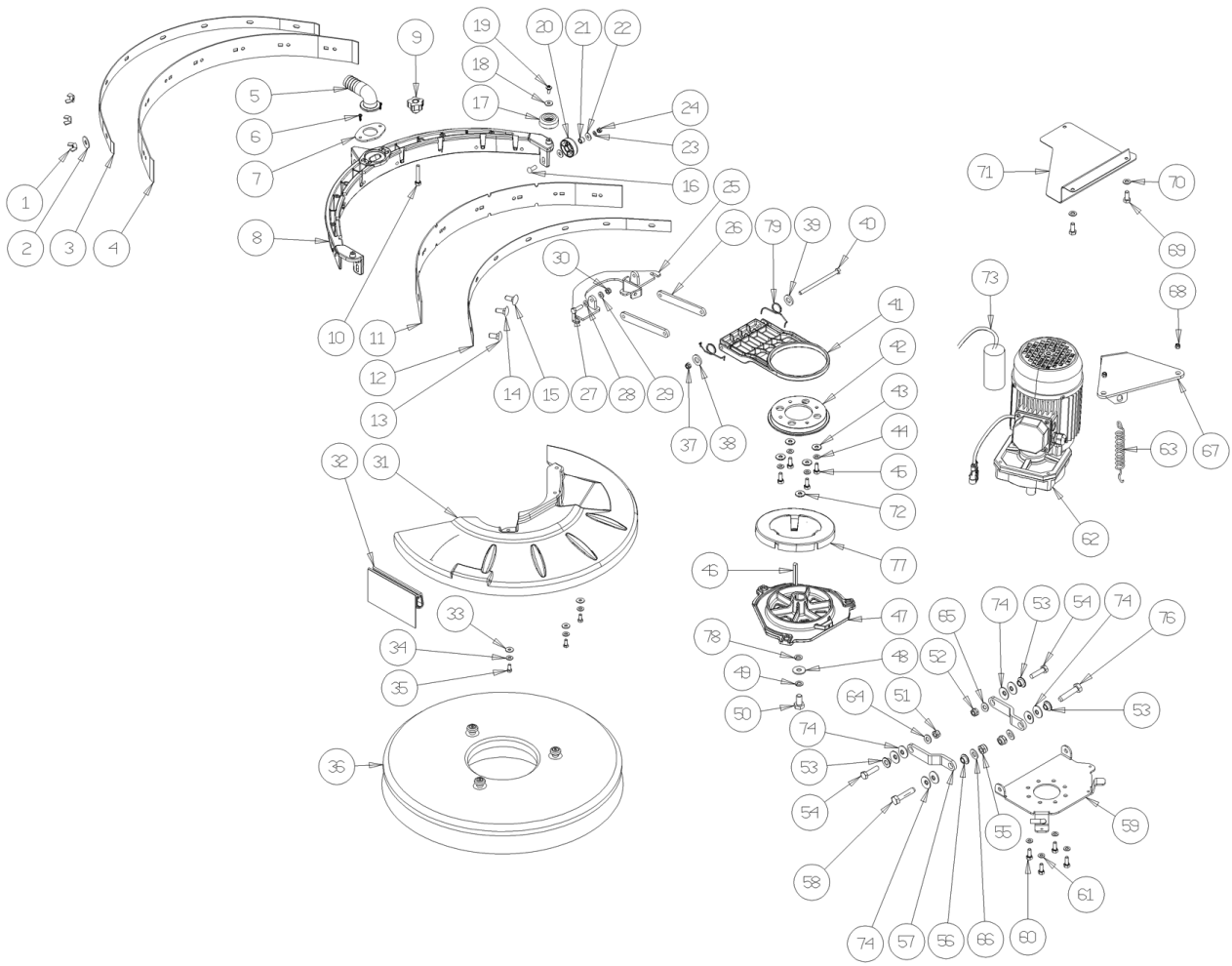
Ref.	K	Part N.	Customer Part N.	Description	Qty	Validity:		Price
						From	To	
0038		VTVT01110		SCREW TE 8X16 UNI5739	2,00			--
0039		MPVR05967		CAP -	1,00			--
0040		LAFN09172		BUSHING -	1,00			--
0041		MPVR05965		WHEEL -	1,00			--
0042		VTDD00502		NUT M12	1,00			--
0043		VTRS09142		WASHER D.12 X 36	1,00	02/2015		--
0043		VTRS15978		WASHER D.12X24 UNI 6592 INX	1,00		02/2015	--
0044		VTRS09142		WASHER D.12 X 36	1,00	02/2015		--
0044		VTRS15978		WASHER D.12X24 UNI 6592 INX	1,00		02/2015	--
0045		RTRT00544		WHEEL D.80MXHC	1,00			--
0046		LAFN07901		FRAME -	1,00			--
0047		VTVT63035		SCREW TCEI M8X25 BRUNITA	1,00			--
0048		VTRS00230		WASHER D. 8	1,00			--
0049		MPVR34714		CABLE SUPPORT E 350	1,00			--
0050		VTVT48694		SCREW TCB TC 5 X12 UNI 9707 TZ	4,00			--
0051		LAFN09222		BRACKET -	1,00			--
0052		VTRS00364		THICKNESS 18X25X1	4,00	09/2015	06/2016	--
0053		ETET01770		LABEL CT15	1,00			--
0053		ETET01773		LABEL CT15	1,00			--
0053		ETET01775		LABEL CT15	1,00			--
0054		ETET01770		LABEL CT15	1,00			--
0054		ETET01773		LABEL CT15	1,00			--
0054		ETET01775		LABEL CT15	1,00			--
0055		ETET01769		LABEL CT15	1,00			--
0055		ETET01772		LABEL CT15	1,00			--
0055		ETET01774		LABEL CT15	1,00			--
0056		LAFN11049		HOOK -	1,00	04/2016		--



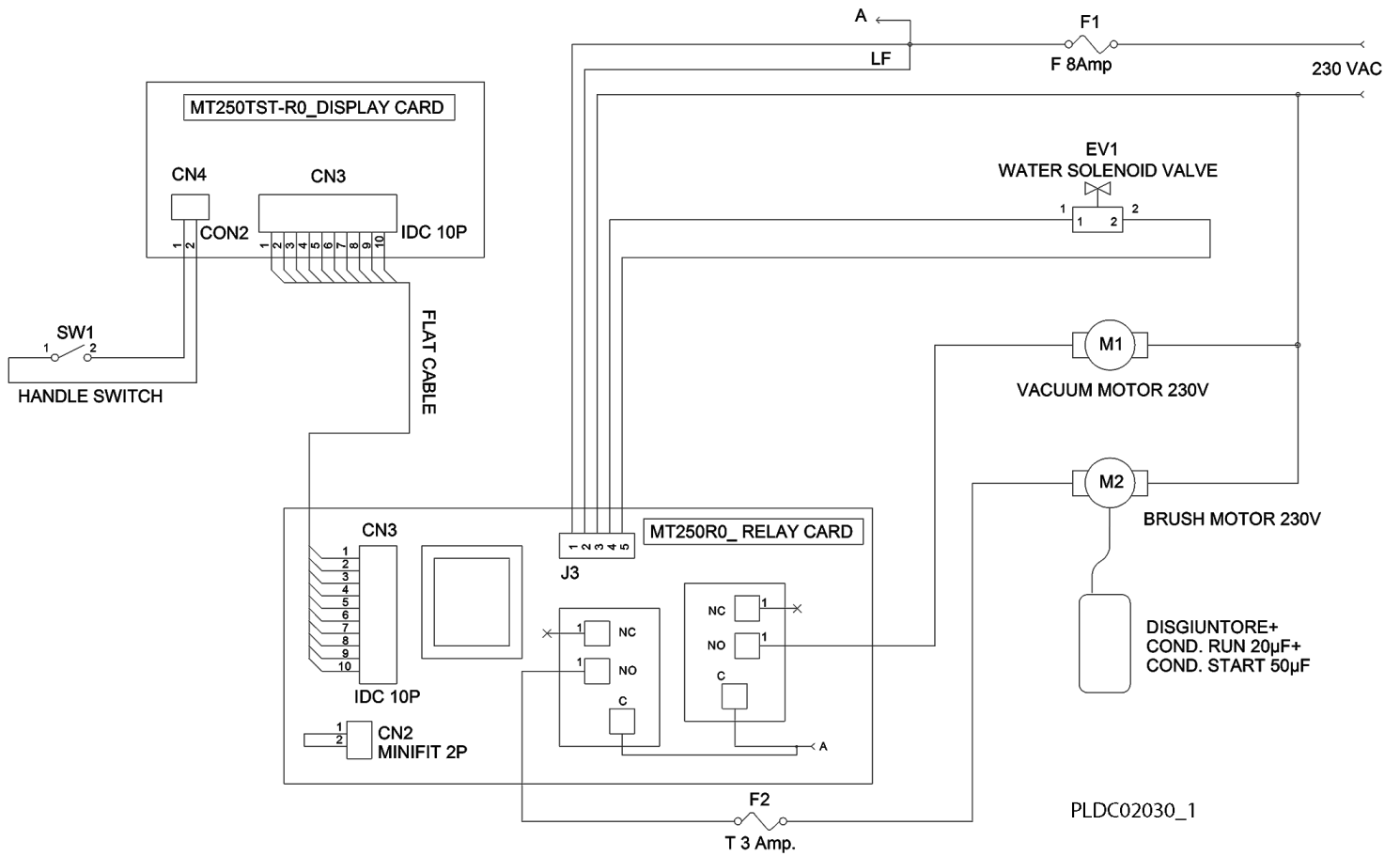
Ref. K	Part N.	Customer Part N.	Description	Qty	Validity:		Price
					From	To	
0001	VTDD00522		NUT M5	6,00			--
0002	VTRS13750		WASHER D. 5X14 INX	6,00			--
0003	LAFN07908		BRACKET -	1,00			--
0004	MPVR05954		FLAP SQUEEGEE REAR CT30	1,00			--
0005	MPVR05831		CONNECTOR ELBOW FITTING CT15-CT30	1,00			--
0006	VTVT48694		SCREW TCB TC 5 X12 UNI 9707 TZ	2,00			--
0007	LAFN08890		FLANGE -	1,00			--
0008	MPVR05914		FLOOR WIPER YELLOW RAL1021	1,00			--
0009	MPVR05842		SMALL KNOB -	2,00			--
0010	VTVT15515		SCREW TE M 6X 50 INOX A2	2,00			--
0011	MPVR05953		FLAP SQUEEGEE FRONT CT30	1,00			--
0012	LAFN07907		BRACKET -	1,00			--
0013	VTVT01690		SCREW M5x25	2,00			--
0014	VTVT01691		SCREW M5x35	2,00			--
0015	VTVT01691		SCREW M5x35	2,00			--
0016	VTVT01693		SCREW M5x20	3,00			--
0017	MPVR05832		WHEEL -	2,00			--
0018	VTRS13750		WASHER D. 5X14 INX	2,00			--
0019	VTVT48694		SCREW TCB TC 5 X12 UNI 9707 TZ	2,00			--
0020	MPVR05832		WHEEL -	3,00			--
0021	LAFN08913		BUSHING -	3,00			--
0022	VTRS13750		WASHER D. 5X14 INX	6,00			--
0023	VTRS15908		WASHER D. 5 INX GRW UNI 1751	3,00			--
0024	VTDD01693		NUT M 5 INX	3,00			--
0025	LAFN07903		SUPPORT -	1,00			--
0026	LAFN07902		ARM -	2,00			--
0027	VTVT13939		SCREW TE 6X20 UNI5739 INX	2,00			--
0028	VTRS00245		WASHER D.6 UNI 6592 INOX	2,00			--
0029	VTRS00245		WASHER D.6 UNI 6592 INOX	2,00			--
0030	VTDD01694		NUT M6 INOX	2,00			--
0031	MPVR05916		COVERING BRUSH HEAD CT30	1,00			--
0032	MPVR05966		FLAP BRUSH SKIRT CT30	1,00			--
0033	VTRS13750		WASHER D. 5X14 INX	3,00			--
0034	VTRS15908		WASHER D. 5 INX GRW UNI 1751	3,00			--
0035	VTVT01300		SCREW TE M5X12 INOX	3,00			--
0036	SPPV01188		BRUSH CT30 NEW	1,00			--
0037	VTDD01694		NUT M6 INOX	1,00			--
0038	VTRS00245		WASHER D.6 UNI 6592 INOX	1,00		01/2015	--
0038	VTRS13945		WASHER D. 6X18 INX UNI 6593	1,00	01/2015		--



Ref.	K	Part N.	Customer Part N.	Description	Qty	Validity:		Price
						From	To	
0039		VTRS00245		WASHER D.6 UNI 6592 INOX	1,00		01/2015	--
0039		VTRS13945		WASHER D. 6X18 INX UNI 6593	1,00	01/2015		--
0040		VTVT01385		SCREW M6X140	1,00	01/2015		--
0040		VTVT01692		SCREW M6X125	1,00		01/2015	--
0041		MPVR05829		SUPPORT -	1,00		01/2015	--
0041		MPVR07158		BODY SIDE SX	1,00	01/2015		--
0042		MPVR05830		BRACKET -	1,00		01/2015	--
0042		MPVR07161		BRACKET -	1,00	01/2015		--
0043		VTRS13945		WASHER D. 6X18 INX UNI 6593	4,00			--
0044		VTRS15144		WASHER D. 6 INX GRW UNI 1751	4,00			--
0045		VTVT13939		SCREW TE 6X20 UNI5739 INX	4,00			--
0046		VTVR16617		KEY 6X 6X30 UNI 6604	1,00			--
0047		MFVR00212		DRIVE DISK	1,00			--
0048		VTRS13946		WASHER D. 8 X24 INX UNI 6593	1,00			--
0049		VTRS15146		WASHER D. 8 INX GRW UNI 1751	1,00			--
0050		VTVT13938		SCREW TE 8X20 UNI5739 INX	1,00			--
0051		VTDD01695		NUT M 8 INX	1,00			--
0052		VTDD01695		NUT M 8 INX	1,00			--
0053		LAFN94013		BUSHING -	3,00			--
0054		VTVT01378		SCREW TBEI M8X35	2,00			--
0055		VTDD01695		NUT M 8 INX	2,00			--
0056		LAFN51068		BUSHING LEVA POSTER.	1,00			--
0057		LAFN94012		ARM -	2,00			--
0058		VTVT01195		SCREW TBEI M 8X 25 ISO 7380 IX	2,00			--
0059		LAFN07905		SUPPORT -	1,00			--
0060		VTVT15906		SCREW TE 6X 12 A2 UNI 5739	4,00			--
0061		VTRS15144		WASHER D. 6 INX GRW UNI 1751	4,00			--
0062		MOMO00259		MOTOR CT30-CT45 230VAC 50-60HZ	1,00			--
0063		MLML00065		SPRING L0=80 De=12 Df=1.7	1,00			--
0064		VTRS13947		WASHER D. 8 INX UNI 6592	1,00			--
0065		VTRS13947		WASHER D. 8 INX UNI 6592	1,00			--
0066		VTRS13947		WASHER D. 8 INX UNI 6592	2,00			--
0068		VTDD00128		SELF-LOCJ.NUT M5	2,00			--
0069		VTVT34115		SCREW TE M 5X 10 UNI 5739	2,00			--
0070		VTRS13750		WASHER D. 5X14 INX	2,00			--
0071		MPVR05957		PROTECTION -	1,00			--
0072		VTRS13947		WASHER D. 8 INX UNI 6592	1,00			--
0073		METT00092		GROUND PROTECT.CT30-CT45C	1,00			--
0074		MLML00095		DISC SPRINGS 12,2x25x0,9 DIN 2093	8,00			--



Ref.	K	Part N.	Customer Part N.	Description	Qty	Validity:		Price
						From	To	
0076		VTVT13937		SCREW TE M 8X 30 INX UNI 5739	1,00			--
0077		MPVR06045		CONVEYOR -	1,00			--
0078		VTRS13947		WASHER D. 8 INX UNI 6592	1,00	11/2014		--
0079		MLML00343		SPRING -	2,00	01/2015		--



Ref.	K	Part N.	Customer Part N.	Description	Qty	Validity:		Price
						From	To	
EV1		PMVR01989		SOLENOID VALVE CT30 230Vac	1,00			--
F1		MEVR02047		FUSE 8A 6,3X32 GLASS	1,00			--
F2		MEVR02092		FUSE 4A RITARDATO	1,00			--
M1		MOMO00243		MOTOR ASPIRATORE	1,00			--
M2		MOMO00248		MOTOR CT30 230V	1,00			--
SW1		MERL00013		SWITCH -	1,00			--