

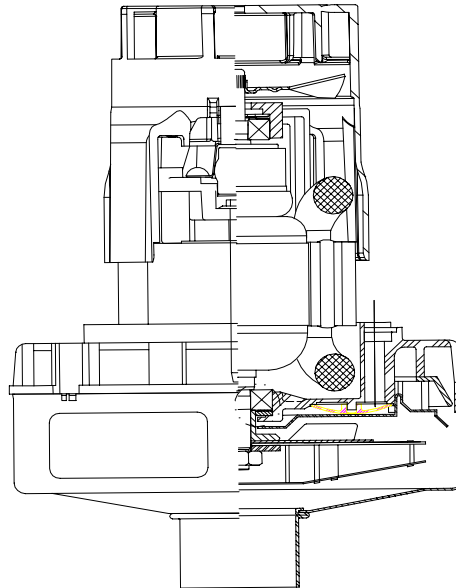


LAMB ELECTRIC

Model: 119652-29

SPECIAL FEATURES

- Suitable for 24 volt DC operation
- UL Recognized, category PRGY2 (E47185)
- Provision for grounding
- Skeleton-frame design
- Epoxy painted fan case
- Patented air seal bearing construction. U.S. Patent #4,088,424
- Enhanced Air Seal
- The Lamb Electric vacuum motor line offers a wide range of performance levels to meet design needs.
- ***Model 119652-29 features low noise vent cap and cooling fan.**



DESCRIPTION

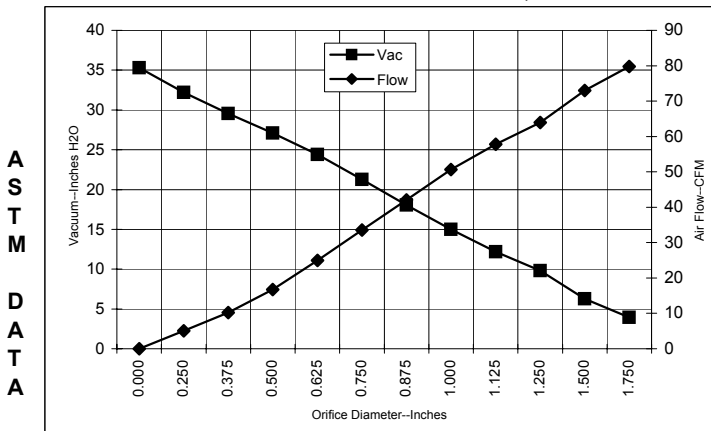
- One stage Air Watt Series (AWS)
- 24 Volt
- 5.7"/145 mm diameter
- Double ball bearings
- Single speed
- Acustek Discharge
- Thermoset fan end bracket
- Thermoset Commutator bracket
- **Low noise vent cap and cooling fan**

DESIGN APPLICATION

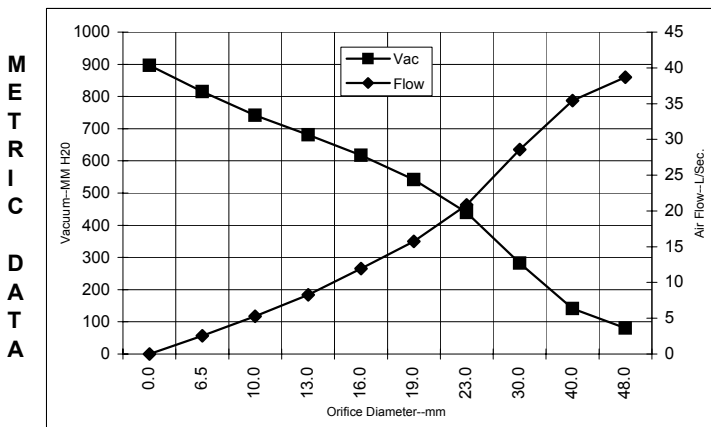
- Equipment operating in environments requiring separation of working air from motor ventilating air
- Designed to handle clean, dry, filtered air only

TYPICAL MOTOR PERFORMANCE.*

(At 24 volt DC, test data is corrected to standard conditions of 29.92 Hg, 68° F.)



Orifice (Inches)	Amps	Watts (In)	RPM	Vac (In.H ₂ O)	Flow (CFM)	Air Watts
2.000	17.0	408	15852	2.5	83.7	25
1.750	17.0	408	15846	4.0	79.8	37
1.500	17.0	409	15830	6.3	73.0	54
1.250	17.0	408	15888	9.8	63.9	74
1.125	16.9	404	15994	12.2	57.8	83
1.000	16.6	398	16182	15.0	50.6	89
0.875	16.2	388	16512	18.1	42.1	89
0.750	15.7	377	16812	21.3	33.6	84
0.625	15.1	363	17348	24.4	25.0	72
0.500	14.4	344	17966	27.1	16.7	53
0.375	13.7	327	18646	29.6	10.3	36
0.250	13.1	315	19242	32.2	5.1	19
0.000	12.7	305	19734	35.3	0.0	0



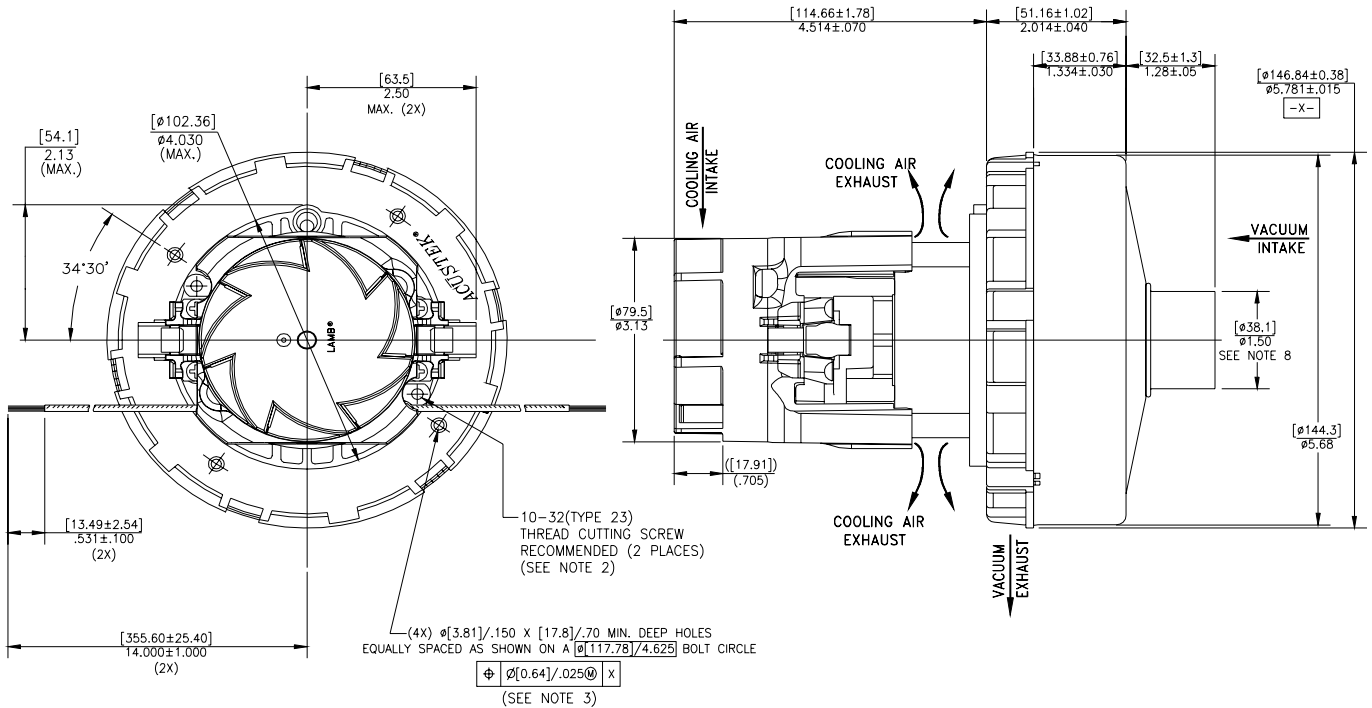
Orifice (mm)	Amps	Watts (In)	RPM	Vac (mm H ₂ O)	Flow (L/Sec)	Air Watts
48.0	17.0	408	15849	80	38.7	30
40.0	17.0	409	15835	142	35.4	49
30.0	16.9	406	15946	282	28.6	79
23.0	16.3	391	16430	439	20.9	89
19.0	15.7	377	16823	542	15.8	84
16.0	15.2	364	17327	617	12.0	72
13.0	14.4	346	17904	681	8.3	55
10.0	13.8	330	18544	741	5.3	38
6.5	13.2	316	19212	815	2.5	20
0.0	12.7	305	19734	896	0.0	0

Note: Metric performance data is calculated from the ASTM data above.

* Data represents performance of a typical motor sampled from a large production quantity. Individual motor data may vary due to normal manufacturing variations.

Test Specs:	24 volts	Minimum Sealed Vacuum:	29.0"	ORIFICE:	7/8 "	Minimum Vacuum:	16.0"	Maximum Watts:	480
--------------------	-----------------	-------------------------------	--------------	-----------------	--------------	------------------------	--------------	-----------------------	------------

DIMENSIONS



IMPORTANT NOTE: Pictorial and dimensional data are subject to change without notice. Contact factory for current revision levels.

WARNING - When using AMETEK Lamb Electric bypass motors in machines that come in contact with foam, liquid (including water), or other foreign substances, the machine must be designed and constructed to prevent those substances from reaching the fan system, motor housing, and electrical components. Lamb Electric vacuum motors other than hazardous duty models should not be applied in machines that come in contact with dry chemicals or other volatile materials. Failure to observe these precautions could cause flashing (depending on volatility) or electrical shock which could result in property damage and severe bodily injury, including death in extreme cases. All applications incorporating Lamb Electric motors should be submitted to appropriate organizations or agencies for testing specifically related to the safety of your equipment.

AMETEK Lamb Electric
627 Lake Street
Kent, Ohio 44240
U.S.A.
Tel: (330) 673-3786 Fax: (330) 677-3812
www.lambelectric.com