

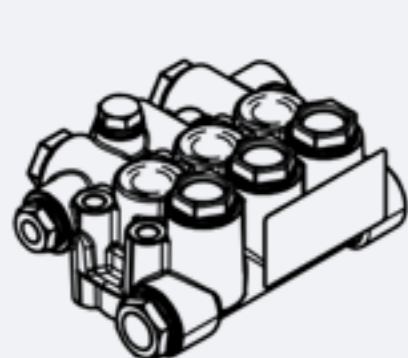
<p>MASSIMA TEMPERATURA INGRESSO ACQUA MAX INPUT WATER TEMPERATURE</p> <p>65°C 149° F</p>	<p>PRESSIONE MINIMA INGRESSO MINIMAL INPUT PRESSURE</p> <table border="1"> <tr> <td>< 50 lt</td> <td>> 50 lt</td> </tr> <tr> <td>0.2 BAR</td> <td>1 BAR</td> </tr> <tr> <td>2.9 PSI</td> <td>14.5 PSI</td> </tr> </table>	< 50 lt	> 50 lt	0.2 BAR	1 BAR	2.9 PSI	14.5 PSI	<p>INGRESSO INLET</p> <p>G 3/4"</p>	<p>USCITA OUTLET</p> <p>G 1/2"</p>	<p>TESTATA NICHELATA NICKEL PLATED MANIFOLD</p>
< 50 lt	> 50 lt									
0.2 BAR	1 BAR									
2.9 PSI	14.5 PSI									



GM-CW CAR WASH	PORTATA FLOW RATE		GIRI ROUNDS	PRESSIONE PRESSURE		CAPACITÀ OLIO OIL CAPACITY		PESO WEIGHT	
	Lt/min	Gpm	Rpm	Bar	Psi	Lt	Gal	Kg	Lbs
50HZ	18.00 » 63.00	4.75 » 16.64	1450	150	2175.57	1.2	0.31	19	41.88
60Hz	21.60 » 75.60	5.70 » 19.97	1740	300	4351,13				

Codice Code	Modello Model	Portata / Flow Rate lt/min - gpm		Pressione Pressure		Potenza Power		Potenza Power		Albero Shaft	Ø Pistone Ø Plunger
		1450 rpm	1740 rpm	Bar	Psi	50Hz		60Hz			
						HP	Kw	HP	Kw		
P3.032.001	GM18300R	18.00 4,76	21.60 5,71	300.00	4351.13	14.03	10.45	16.83	12.54	45mm Destra / Right	20
P3.032.002	GM22300R	22.00 5,81	26.40 6,97	300.00	4351.13	17.14	12.77	20.57	15.33	45mm Destra / Right	20
P3.032.003	GM25300R	25.00 6,60	30.00 7,93	300.00	4351.13	19.48	14.51	23.38	17.42	45mm Destra / Right	20
P3.032.005	GM27300R	27.00 7,13	32.40 8,56	300.00	4351.13	21.04	15.67	25.25	18.81	55mm Destra / Right	20
P3.032.006	GM30250R	30.00 7,93	36.00 9,51	250.00	3625.94	19.48	14.51	23.38	17.42	45mm Destra / Right	22
P3.032.008	GM33250R	33.00 8,72	39.60 10,46	250.00	3625.94	21.43	15.96	25.71	19.16	55mm Destra / Right	22
P3.032.009	GM35170R	35.00 9,25	42.00 11,10	170.00	2465.64	15.45	11.51	18.55	13.82	45mm Destra / Right	25
P3.032.010	GM40170R	40.00 10,57	48.00 12,68	170.00	2465.64	17.66	13.16	21.19	15.79	45mm Destra / Right	25
P3.032.012	GM43170R	43.00 11,36	51.60 13,63	170.00	2465.64	18.99	14.15	22.78	16.97	55mm Destra / Right	25
P3.032.013	GM50150R	50.00 13,21	60.00 15,85	150.00	2175.57	19.48	14.51	23.38	17.42	45mm Destra / Right	28
P3.032.014	GM54150R	54.00 14,27	64.80 17,12	150.00	2175.57	21.04	15.67	25.25	18.81	55mm Destra / Right	28
P3.032.034	GM63150R	63.00 16,64	75.60 19,97	150.00	2175.57	24.54	18.30	29.45	21.96	55mm Destra / Right	28
P3.032.015	GM18300L	18.00 4,76	21.60 5,71	300.00	4351.13	14.03	10.45	16.83	12.54	45mm Sinistra / Left	20
P3.032.016	GM22300L	22.00 5,81	26.40 6,97	300.00	4351.13	17.14	12.77	20.57	15.33	45mm Sinistra / Left	20
P3.032.017	GM25300L	25.00 6,60	30.00 7,93	300.00	4351.13	19.48	14.51	23.38	17.42	45mm Sinistra / Left	20
P3.032.019	GM27300L	27.00 7,13	32.40 8,56	300.00	4351.13	21.04	15.67	25.25	18.81	55mm Sinistra / Left	20
P3.032.020	GM30250L	30.00 7,93	36.00 9,51	250.00	3625.94	19.48	14.51	23.38	17.42	45mm Sinistra / Left	22
P3.032.022	GM33250L	33.00 8,72	39.60 10,46	250.00	3625.94	21.43	15.96	25.71	19.16	55mm Sinistra / Left	22
P3.032.023	GM35170L	35.00 9,25	42.00 11,10	170.00	2465.64	15.45	11.51	18.55	13.82	45mm Sinistra / Left	25
P3.032.024	GM40170L	40.00 10,57	48.00 12,68	170.00	2465.64	17.66	13.16	21.19	15.79	45mm Sinistra / Left	25
P3.032.026	GM43170L	43.00 11,36	51.60 13,63	170.00	2465.64	18.99	14.15	22.78	16.97	55mm Sinistra / Left	25
P3.032.027	GM50150L	50.00 13,21	60.00 15,85	150.00	2175.57	19.48	14.51	23.38	17.42	45mm Sinistra / Left	28
P3.032.028	GM54150L	54.00 14,27	64.80 17,12	150.00	2175.57	21.04	15.67	25.25	18.81	55mm Sinistra / Left	28
P3.032.035	GM63150L	63.00 16,64	75.60 19,97	150.00	2175.57	24.54	18.30	29.45	21.96	55mm Sinistra / Left	28

RICAMBI GM Ø20 / SPARE PARTS GM Ø20



KIT - P9.040.024

TESTATA COMPLETA
COMPLETE HEAD OF THE PUMP



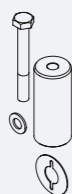
KIT - P9.039.002

ANELLI TENUTA OLIO ASTA
KIT OIL SEAL PUMP



KIT - P9.003.005

GUARNIZIONE PISTONE
KIT PLUNGER SEALS



KIT - P9.004.009

PISTONE DIAMETRO 20
KIT CERAMIC PISTON DIAMETER 20



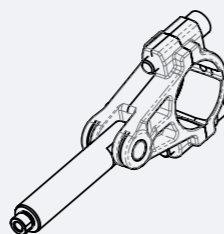
KIT - P9.001.007

VALVOLA COMPLETA
COMPLETE VALVE



KIT - P9.003.019

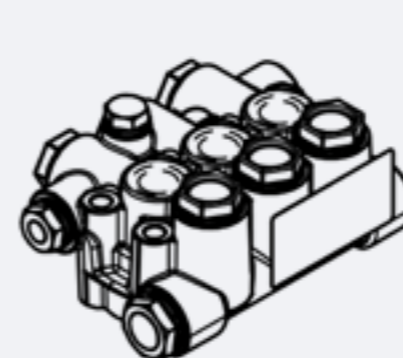
GUARNIZIONE PISTONE - PACCO COMPLETO
KIT COMPLETE SEALS



KIT - P9.041.005

PREMONTATO BIELLA - ASTA
PREASSEMBLED CONNECTING ROD

RICAMBI GM Ø25 / SPARE PARTS GM Ø25



KIT - P9.040.026

TESTATA COMPLETA
COMPLETE HEAD OF THE PUMP



KIT - P9.039.002

ANELLI TENUTA OLIO ASTA
KIT OIL SEAL PUMP



KIT - P9.003.009

GUARNIZIONE PISTONE
KIT PLUNGER SEALS



KIT - P9.004.011

PISTONE DIAMETRO 25
KIT CERAMIC PISTON DIAMETER 25



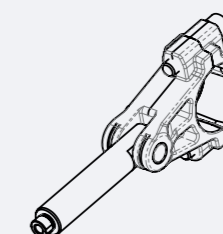
KIT - P9.001.008

VALVOLA COMPLETA
COMPLETE VALVE



KIT - P9.003.021

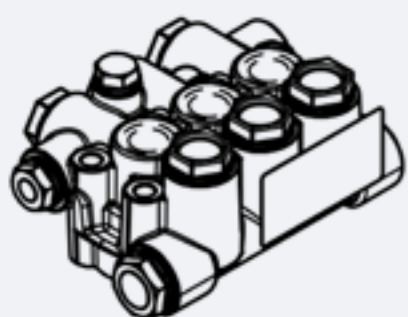
GUARNIZIONE PISTONE - PACCO COMPLETO
KIT COMPLETE SEALS



KIT - P9.041.005

PREMONTATO BIELLA - ASTA
PREASSEMBLED CONNECTING ROD

RICAMBI GM Ø22 / SPARE PARTS GM Ø22



KIT - P9.040.025

TESTATA COMPLETA
COMPLETE HEAD OF THE PUMP



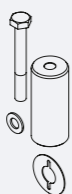
KIT - P9.039.002

ANELLI TENUTA OLIO ASTA
KIT OIL SEAL PUMP



KIT - P9.003.007

GUARNIZIONE PISTONE
KIT PLUNGER SEALS



KIT - P9.004.010

PISTONE DIAMETRO 22
KIT CERAMIC PISTON DIAMETER 22



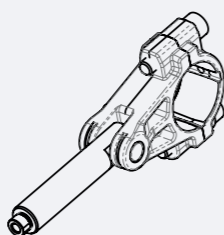
KIT - P9.001.007

VALVOLA COMPLETA
COMPLETE VALVE



KIT - P9.003.020

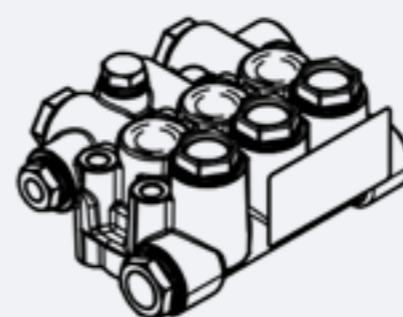
GUARNIZIONE PISTONE - PACCO COMPLETO
KIT COMPLETE SEALS



KIT - P9.041.005

PREMONTATO BIELLA - ASTA
PREASSEMBLED CONNECTING ROD

RICAMBI GM Ø28 / SPARE PARTS GM Ø28



KIT - P9.040.027

TESTATA COMPLETA
COMPLETE HEAD OF THE PUMP



KIT - P9.039.002

ANELLI TENUTA OLIO ASTA
KIT OIL SEAL PUMP



KIT - P9.003.011

GUARNIZIONE PISTONE
KIT PLUNGER SEALS



KIT - P9.004.012

PISTONE DIAMETRO 28
KIT CERAMIC PISTON DIAMETER 28



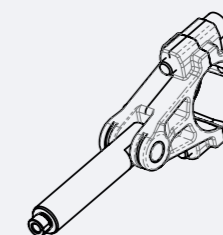
KIT - P9.001.008

VALVOLA COMPLETA
COMPLETE VALVE



KIT - P9.003.022

GUARNIZIONE PISTONE - PACCO COMPLETO
KIT COMPLETE SEALS



KIT - P9.041.005

PREMONTATO BIELLA - ASTA
PREASSEMBLED CONNECTING ROD