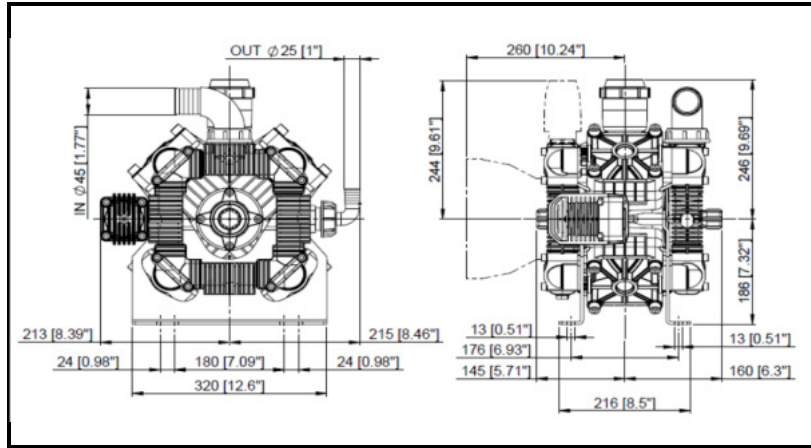
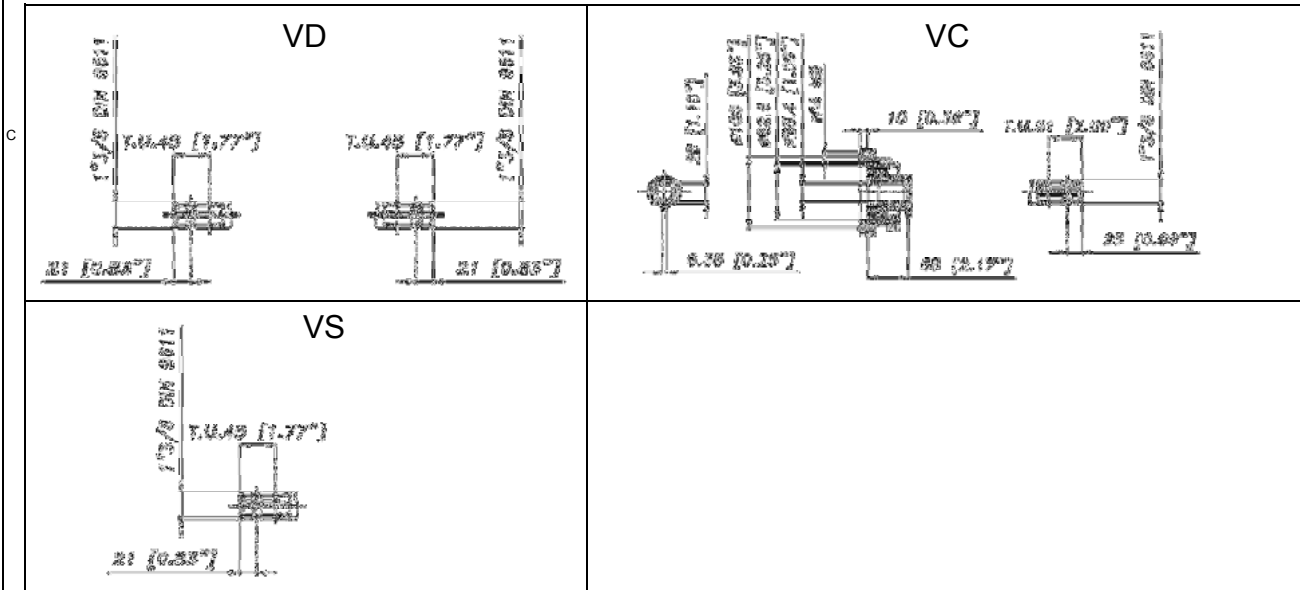


DIMENSIONI D'INGOMBRO - OVERALL DIMENSIONS



ALBERO POMPA - PUMP SHAFT



COPPIA DI SERRAGGIO - TORQUE CHART					
CODICE - CODE	Q.TY	POS	N.m	Lbr.ft	
62.9811.97.3	4	47-48	25	18,4	
86.2168.00.2	2	6	5	7,3	
86.3694.65.2	1	29	40	29,5	
85.2577.10.2	1	17	5 (LOXEAL 24-18)	3,7 (LOXEAL 24-18)	
86.2562.20.2	4	43	22	16,3	
86.2682.50.2	2	46	22	16,3	
86.2951.05.2	16	20	10	7,4	
81.4573.00.2	16	71	10	7,4	
86.3276.05.2	6	61	40 (LOXEAL 54-03)	29,5 (LOXEAL 54-03)	
86.4068.50.2	16	65	40	29,5	
86.2852.00.2	4	91	10	7,4	
83.8260.15.2	16	70	10	7,4	
852.720.002	1	82	10	7,4	

Tolleranza di serraggio: 0/-10%  
Tolerance on torque value:

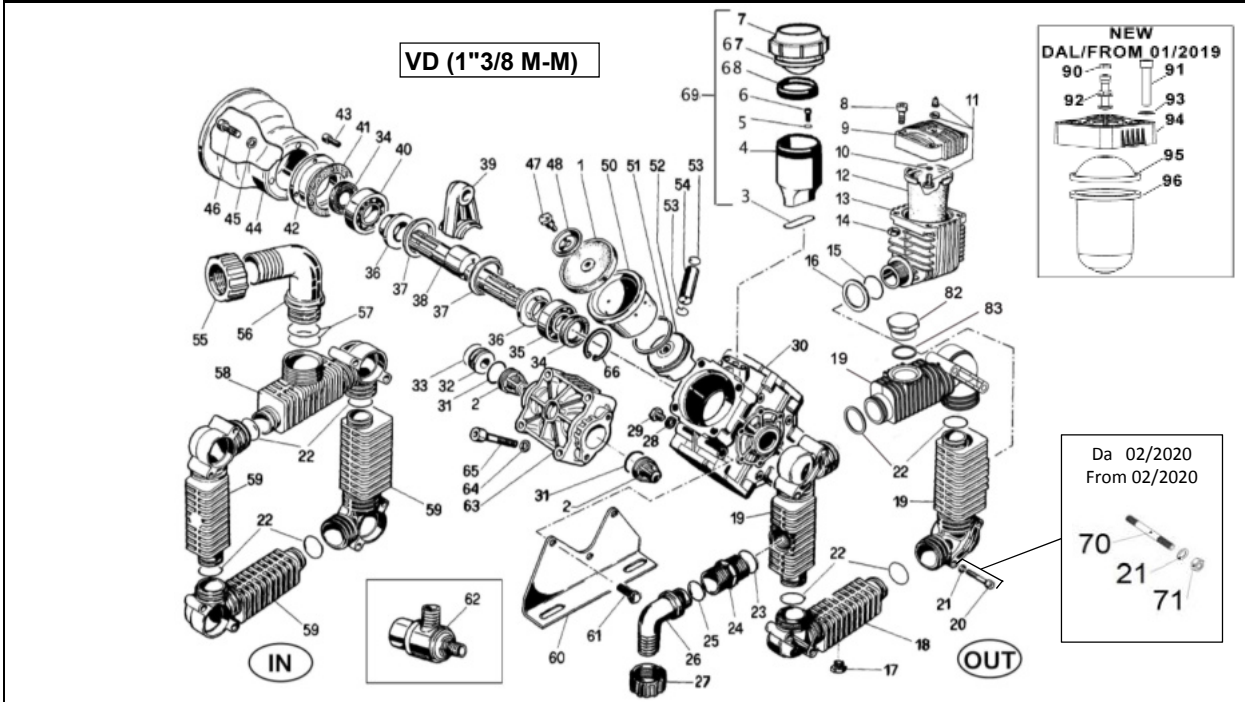
INFORMAZIONI UTILI USEFUL INFORMATION				
LUBRIFICANTE - LUBRICANT: OLIO MOTORE O SEMIIDRAULICO SAE 30 MOTOR OIL OR SEMI-HYDRAULIC OIL SAE 30				
PRESSIONE ACCUMULATORE ACCUMULATOR PRESSURE				
PRESSIONE DI LAVORO - OPERATING PRESSURE	2 + 5	5 + 10	10 + 20	20 + 50
ACCUMULATORE ACCUMULATOR	2	2 + 5	5 + 7	6 + 8

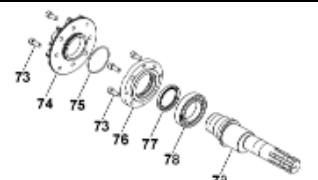
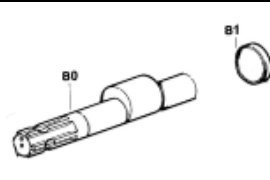
KIT MEMBRANE - DIAPHRAGMS KIT																		
KIT	28.9887.97.3DS 28.9887.97.ADS *	PRE-SET DURAMAX			PRE-SET DESMOPAN			VITON					PENTAX					
		1	31	12	1	31	12	1	31	12	33	22	23	15	1	31	12	
POSIZIONE ESPLOSO POSITION NUMBER																		
QUANTITA' NEL KIT QUANTITIES INCLUDED	4	8	1	4	8	1	4	8	1	4	8	1	4	8	1	1	1	1

\*.3: per pompe con calotta accumulatore in alluminio/for pumps with aluminum ballaster cover  
\*.A: per pompe con calotta accumulatore in polipropilene/for pumps with polypropylene ballaster cover

KIT POMPA/KIT VALVOLE - PUMP KIT/VALVES KIT																						
KIT	28.9883.97.3	KIT POMPA VD PUMP KIT VD					28.9902.97.3	KIT POMPA VC PUMP KIT VC							28.9885.97.3	VALVOLE INOX 303 VALVES KIT 303			28.9906.97.3	VALVOLE INOX 316 VALVES KIT 316		
		22	31	34	41	33		22	31	33	41	34	77	75		2	31	33		2	31	33
QUANTITA' NEL KIT QUANTITIES INCLUDED	8	8	2	1	4	8	8	8	4	1	1	1	1	8	8	4	8	8	4			





VERSIONI	
<b>VC (1"3/8 - D.1" M-F)</b> <b>VC (1"3/8 - D.25mm M-F)</b>	<b>VS (1"3/8 M)</b>
	

POS.	CODICE PART NO. REF.	DENOMINAZIONE - DESCRIPTION - DESCRIPTION	Q.TY	POS.	CODICE PART NO. REF.	DENOMINAZIONE - DESCRIPTION - DESCRIPTION	Q.TY
1	62.0040.00.ADS	PRESET DURAMAX PISTON DIAPHRAGM (STD)	4	42	98.0108.09.2	COVER	1
1	62.0040.00.A	PRE-SET DESMOPAN PISTON DIAPHRAGM (OPT)	4	43	86.2562.20.2	SCREW M8x20 UNI5931	4
1	62.0040.33.2	VITON PISTON DIAPHRAGM (OPT)	4	44	31.1482.32.2	PLAIN SAFETY CONE L=180 (OPTIONAL)	1
1	62.0040.36.2	HPS PISTON DIAPHRAGM (OPT)	4	44	31.1468.32.2	PLAIN SAFETY CONE L=135 (OPTIONAL)	1
2	28.9905.97.3	S.S. AISI 316 VALVE ASSY (STD)	8	45	84.3710.00.2	WASHER DIA.8,5x24x2	4
2	28.9809.97.3	S.S. AISI 303 VALVE ASSY (OPT)	8	46	86.2682.50.2	SCREW M8x25 UNI5931	4
2	63.9800.97.3	POLYPROPYLENE VALVE ASSY (OPT)	8	48	62.9811.97.3	KIT SCREW/DISK INOX	4
3	80.3209.00.2	O-RING 2,62x39,34	1	50	62.0019.01.2	PISTON SLEEVE	4
4	14.0117.32.2	BOWL OIL FILLER	1	51	81.8540.00.2	PISTON RING DIA.78	4
5	84.3585.00.2	WASHER D.6,4x12,5x1,6	2	52	62.0018.09.2	PISTON DIA.78	4
6	86.2168.00.2	SCREW M6x22 UNI5931	2	53	80.0021.00.2	RING DIA.15	8
7	28.0144.32.2	OIL FILLER CAP	1	54	85.2006.70.2	PISTON PIN DIA.15	4
8	86.2752.50.2	SCREW M8x35 UNI5931	4	55	82.0120.00.2	WING NUT G.2"	1
9	11.0004.09.2	BALLASTER COVER (BEFORE 01-19)	1	56	84.0596.00.2	90° ELBOW CONNECTOR DIA.45-1,77"	1
10	80.3213.00.2	O-RING 3,0x6 (BEFORE 01-19)	1	56	84.1642.80.2	STRAIGHT CONNECTOR D.45-1,77" (OPT)	1
11	86.1608.50.2	AIR VALVE (BEFORE 01-19)	1	56	84.1643.00.2	STRAIGHT CONNECTOR D.50-1,96 (OPT)	1
12	23.0041.31.2	BALLASTER DIAPHRAGM (BEFORE 01-19)	1	56	84.0610.00.2	90° ELBOW CONNECTOR DIA.50-1,96 (OPT)	1
12	23.0041.33.2	VITON BALLASTER DIA. (OPT) (BEFORE 01-19)	1	57	80.3209.10.2	O-RING 2,62x40,95	2
12	23.0041.36.2	HPS BALLASTER DIA. (OPT) (BEFORE 01-19)	1	58	28.0072.32.2	MANIFOLD PIPE G.2"	1
13	27.0035.32.2	DAMPER BODY	1	59	28.0070.32.2	INLET-OUTLET MANIFOLD PIPE	3
14	81.4573.50.2	NUT M8 UNI5588	4	60	28.0021.61.2	MOUNTING RAIL	2
15	80.3247.50.2	O-RING 3,53x28,17	1	61	86.3276.05.2	SCREW M10x30 UNI5931	6
16	27.0037.46.2	SPACER	1	62	24.3016.97.3	SAFETY VALVE 15bar (OPTIONAL)	1
17	85.2577.10.2	CAP G.3/8 +OR	1	63	62.0025.32.2	HEAD	4
18	28.0074.32.2	MANIFOLD PIPE WITH HOLE G.3/8	1	64	84.3845.00.2	WASHER DIA.12,2x21x2,5	16
19	28.0071.32.2	MANIFOLD PIPE G.1"	3	65	86.4068.50.2	SCREW M12x75 UNI5931	16
20	86.2951.05.2	SCREW M8x65 UNI5931 (BEFORE 02/2020)	16	66	80.1369.00.2	RING DIA.52	1
21	84.3685.40.2	WASHER DIA.8,2x15x1,5	16	67	41.0017.31.2	DIAPHRAGM OIL FILLER	1
22	80.3250.00.2	O-RING 3,53x31,34	8	68	14.0116.32.2	SPACER	1
23	80.3219.10.2	O-RING 3,0x30	1	69	14.9888.97.3	OIL FILLER KIT	1
24	83.5089.00.2	NIPPLES G.1"-G.1"1/4	1	70	83.8260.15.2	STUD M8 (FROM 02/2020)	16
25	80.3219.00.2	O-RING 3,0x25	1	71	81.4573.00.2	NUT M8 (FROM 02/2020)	16
26	84.0542.40.2	90° ELBOW CONNECTOR DIA.25-1"	1	73	86.2588.10.2	SCREW TCEI M8x20	8
26	84.0560.00.2	90° ELBOW CONNECTOR DIA.30-1,18" (OPT)	1	74	31.1725.07.2	COVER	1
26	84.0565.00.2	90° ELBOW PIPE FITTING DIA.32-1,25" (OPT)	1	75	80.3210.20.2	O-RING DIA.2,62x60	1
27	82.0067.50.2	WING NUT G.1"1/4	1	76	31.1724.46.2	CENTRAL COVER	1
28	82.4066.00.2	GASKET	1	77	80.2191.10.2	OIL SEAL DIA. 45x62x7	1
29	86.3694.65.2	CAP M12	1	78	81.2946.00.2	BEARING 50x80x16	1
30	28.0003.09.2	CRANKCASE	1	79	62.0108.26.2	HOLLOW SHAFT D.1"	1
31	80.3314.00.2	O-RING 4,5x40	8	79	62.0108.26.2A	HOLLOW SHAFT VC D.25mm	1
32	28.0229.32.2	VALVE ASSY SPACER	4	80	62.0010.26.2	SHAFT "VS"	1
33	80.3209.40.2	O-RING 2,62x44,12	4	81	80.2099.60.2	CAP 52X7	1
34	80.2143.10.2	OIL SEAL DIA.35x52x7	2	82	85.2720.00.2	CAP G.1	1
35	81.2846.00.2	BEARING DIA.35x72x17	1	83	80.3206.00.2	O-RING 2,62x28,25	1
36	28.0027.09.2	SHAFT SPACER (VD)	2	90	86.1611.00.2	AIR VALVE NUT (FROM 01-19)	4
36	28.0027.09.2	SHAFT SPACER (VS-VC)	1	91	86.2852.00.2	SCREW M8X45 (FROM 01-19)	4
37	98.0047.76.2	CONNECTING ROD RING	2	92	86.1609.00.2	AIR VALVE (FROM 01-19)	4
38	62.0024.26.2	CRANKSHAFT "VD"	1	93	84.3685.40.2	WASHER D.8,4x15x1,5 (FROM 01-19)	1
39	28.0033.11.2	CONROD	4	94	11.0183.32.2	BALLASTER COVER (FROM 01-19)	1
40	81.2867.00.2	BEARING DIA.35x80x21	1	95	10.0041.31.2	SUP. BALLASTER DIAPHRAGM (FROM 01-19)	1
41	98.0110.72.2	GASKET	1	96	23.0094.31.2	INF.BALLASTER DIAPHRAGM (FROM 01-19)	1