



EQUIPAGGIAMENTI
TECNICI
LAVAGGIO

25.0450.00
TESTINA SABBIANTE TS12
SAND BLASTING HEAD TS12

I
GB

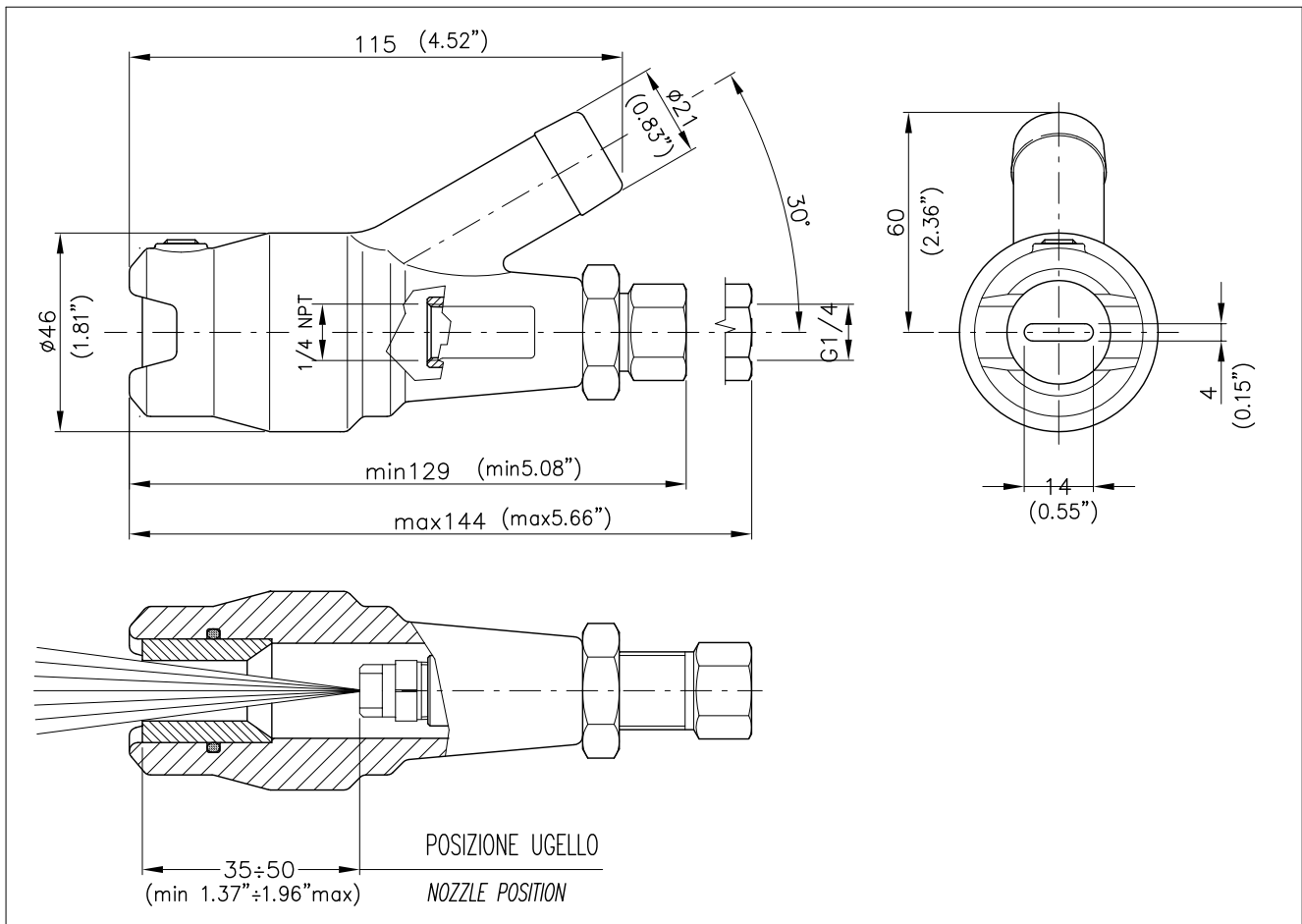
4

23/09/05

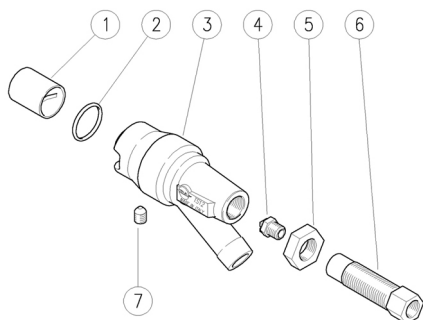
CARATTERISTICHE TECNICHE
SPECIFICATIONS

| | |
|--|---|
| - PRESSIONE NOMINALE RATED PRESSURE | 500 bar – 50 MPa (7250 psi) |
| - PRESSIONE CONSENTITA PERMISSIBLE PRESSURE | 560 bar – 56 MPa (8100 psi) |
| - PORTATA MASSIMA MAX FLOW RATE | 80 l/min (21 USG p.m.) |
| - TEMPERATURA MASSIMA MAX WORKING TEMPERATURE | 90° C (195°F) |
| - UGELLO NOZZLE | 1/4 NPT 15° GETTO PIATTO FLAT JET |
| - MATERIALI MATERIALS | CORPO IN ACCIAIO TEMPRATO E NICKELATO CON CONVOGLIATORE INTERNO IN CARBURO DI TUNGSTENO AD ALTA RESISTENZA. TEMPERED, NICKEL GALVANISED STEEL BODY WITH HIGHLY RESISTANT INNER CONVEYOR IN TUNGSTEN CARBIDE. |

MISURE D'INGOMBRO
OVERALL DIMENSIONS



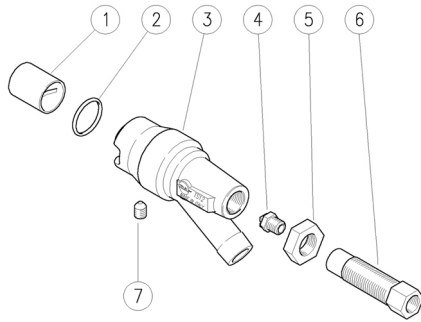
25.0450.00 TS12 Test.sabb.500bar-getto a lama



| Pos. | Codice | Descrizione | Q.tà | K1 | K2 | K3 | K4 | |
|------|------------|--------------------------------------|------|----|----|----|----|----|
| 1 | 25.0501.71 | Inserito sinterizzato TS12 | 1 | | | | | 2 |
| 2 | 10.3200.10 | An.OR 2,62x23,47 mm Vi 70 | 1 | | | | | 10 |
| 3 | 25.0451.62 | Corpo TS12 | 1 | | | | | 1 |
| 4 | 16.1415.40 | Ug. 500bar 1/4M Npt -15.04 ** | 1 | | | | | 2 |
| 4 | 16.1415.50 | Ug. 500bar 1/4M Npt+ventol. 15.05 ** | 1 | | | | | 2 |
| 4 | 16.1415.55 | Ug. 500bar 1/4M Npt - 15.055 ** | 1 | | | | | 2 |
| 4 | 16.1415.80 | Ug. 500bar 1/4M Npt+ventol. 15.08 ** | 1 | | | | | 2 |
| 4 | 16.1415.90 | Ug. 500bar 1/4M Npt+ventol. 15.09 ** | 1 | | | | | 2 |
| 5 | 11.4850.00 | Dado es. M18 | 1 | | | | | 5 |
| 6 | 25.0505.51 | Regolatore G1/4F-1/4 F Npt inox | 1 | | | | | 1 |
| 7 | 16.2221.00 | Grano DIN914 M8x8 mm inox | 1 | | | | | 10 |

** Su richiesta

25.0450.00 TS12 Sandbl.500bar-flat jet



| Pos. | P/N | Description | Q.ty | K1 | K2 | K3 | K4 | |
|------|------------|---------------------------------------|------|----|----|----|----|----|
| 1 | 25.0501.71 | Sintered insert -TS12 | 1 | | | | | 2 |
| 2 | 10.3200.10 | O-ring, 2,62x23,47 mm Vi 70 | 1 | | | | | 10 |
| 3 | 25.0451.62 | Housing -TS12 | 1 | | | | | 1 |
| 4 | 16.1415.40 | Sst nozzle 500bar 1/4M Npt -15.04 ** | 1 | | | | | 2 |
| 4 | 16.1415.50 | Nzl 500bar 1/4M Npt+guid.vane15.05 ** | 1 | | | | | 2 |
| 4 | 16.1415.55 | Nzl 500bar 1/4M Npt - 15.055 ** | 1 | | | | | 2 |
| 4 | 16.1415.80 | Nzl 500bar 1/4M Npt+guid.vane15.08 ** | 1 | | | | | 2 |
| 4 | 16.1415.90 | Nzl 500bar 1/4M Npt+guid.vane15.09 ** | 1 | | | | | 2 |
| 5 | 11.4850.00 | Hex. nut, M18 | 1 | | | | | 5 |
| 6 | 25.0505.51 | Regulator, 1/4F Bsp-1/4 F Npt Sst. | 1 | | | | | 1 |
| 7 | 16.2221.00 | Set screw, DIN914 M8x8 mm Sst. | 1 | | | | | 10 |

** On request



P.A. S.p.A.

Via Milano, 13
42048 Rubiera, Reggio Emilia - Italy

Tel +39.0522.623611
Fax +39.0522.629600

info@pa-etl.it

www.pa-etl.it



COMPANY WITH QUALITY MANAGEMENT
SYSTEM CERTIFIED BY DNV
= ISO 9001 =