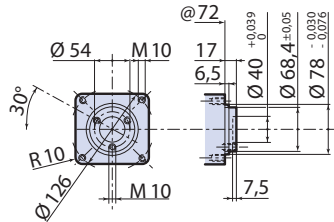
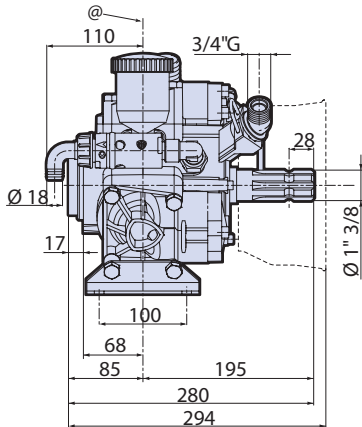
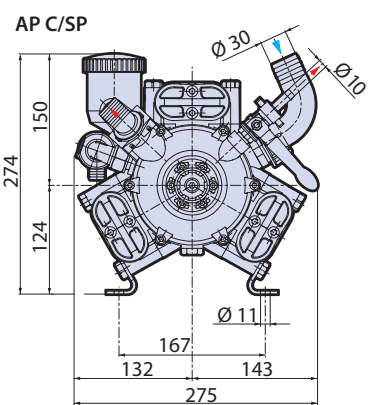


AP C/SP



@ = Pump axis - Asse pompa